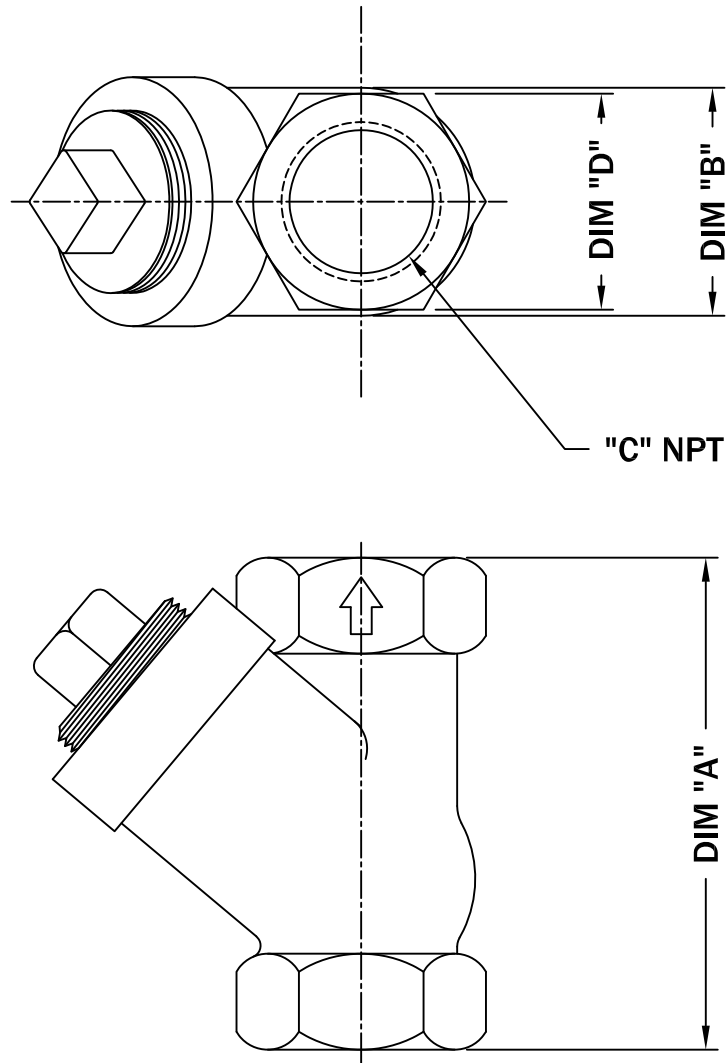


CIBV125 SHOWN

CHECK VALVE

PAGE
1



MODEL NO.	DIA. "A"	DIM "B"	"C" NPT	DIM "D"	MAX SOLIDS
CIBC125	5 1/8"	2 3/8"	1 1/4"	2 1/4"	ø1 1/4"
CIBC150	6 3/4"	3 1/2"	1 1/2"	3 1/4"	ø1 1/2"
CIBC200	6 3/4"	3 1/2"	2"	3 1/4"	2"

ALL INFORMATION CONTAINED IN THIS DRAWING IS CONFIDENTIAL AND PROPRIETARY TO CONERY MFG, INC.



CHANGES	TOLERANCES	DRAWN BY	DATE	SPECIFICATION SHEET DIMENSIONAL DATA	
F	DECIMALS .XXX = ±.005 .XX = ±.010 FRACTIONAL X/X = ±.1/64 ANGLES X° = ±1/2°	D. MIDDLETON	04/08/04	SCALE:	PART NO.
E		MATERIAL SPECIFICATION: CAST IRON		HALF	CAST IRON
D					
C					
B					
A					