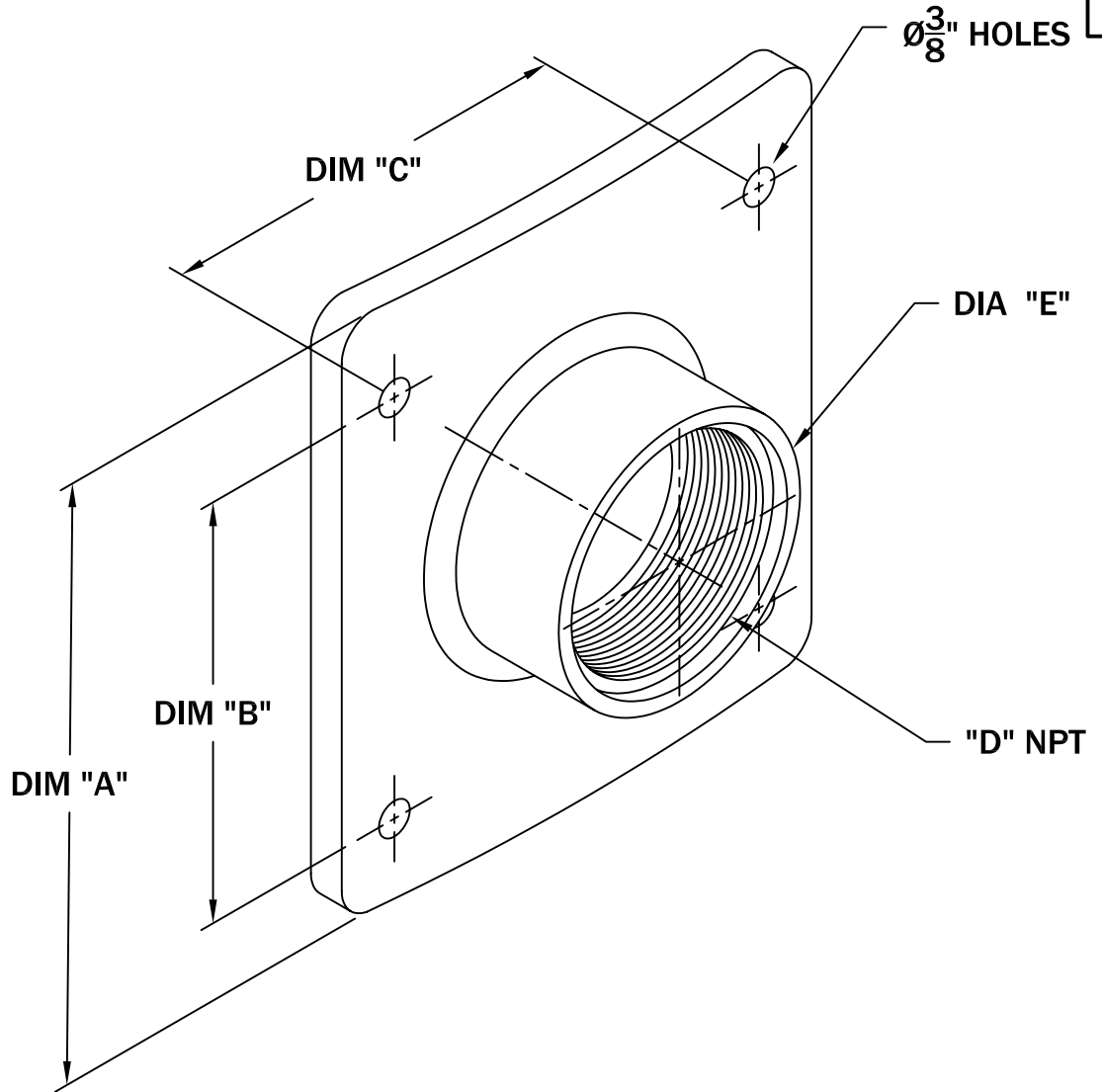


PFC 200 MODEL SHOWN  
 COUPLING LENGTH IS  $2\frac{5}{16}$ ".

FULL COUPLING

PAGE  
 1



MODEL NO.	DIM "A"	DIM "B"	DIM "C"	"D" NPT	DIM "E"
PFC 150	6 5/16"	4 7/16"	4 7/16"	1 1/2"	2 15/32"
PFC 200	6 5/16"	4 7/16"	4 7/16"	2"	2 15/16"

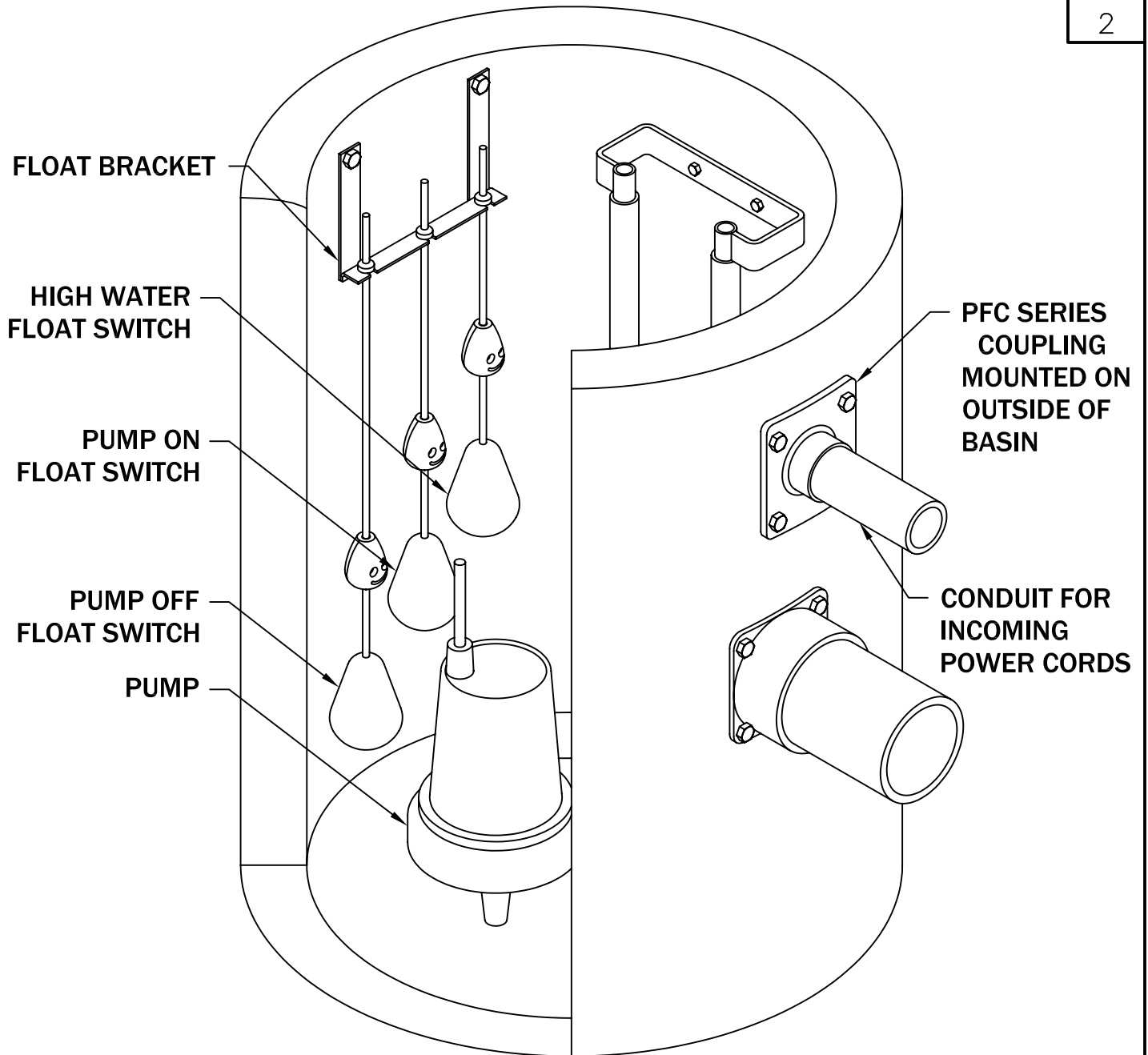
ALL INFORMATION CONTAINED IN THIS DRAWING IS  
 CONFIDENTIAL AND PROPRIETARY TO CONERY MFG, INC.



CHANGES	TOLERANCES	DRAWN BY	DATE
F	DECIMALS .XXX = ±.005 .XX = ±.010 FRACTIONAL X/X = ±.1/64 ANGLES X° = ±1/2°	D. MIDDLETON	03/22/04
E		MATERIAL SPECIFICATION:	
D			
C			
B			
A			

SPECIFICATION SHEET  
 DIMENSIONAL DATA

SCALE:	PART NO.
HALF	PLASTIC



ALL INFORMATION CONTAINED IN THIS DRAWING IS CONFIDENTIAL AND PROPRIETARY TO CONERY MFG, INC.



CHANGES	TOLERANCES	DRAWN BY	DATE
F	DECIMALS	D. MIDDLETON	03/22/04
E	.xxx = ±.005	MATERIAL SPECIFICATION:	
D	.xx = ±.010		
C	FRACTIONAL		
B	x/x = ±.1/64		
A	ANGLES		
	x' = ±1/2'		

SPECIFICATION SHEET DIMENSIONAL DATA	
SCALE:	PART NO.
HALF	PLASTIC