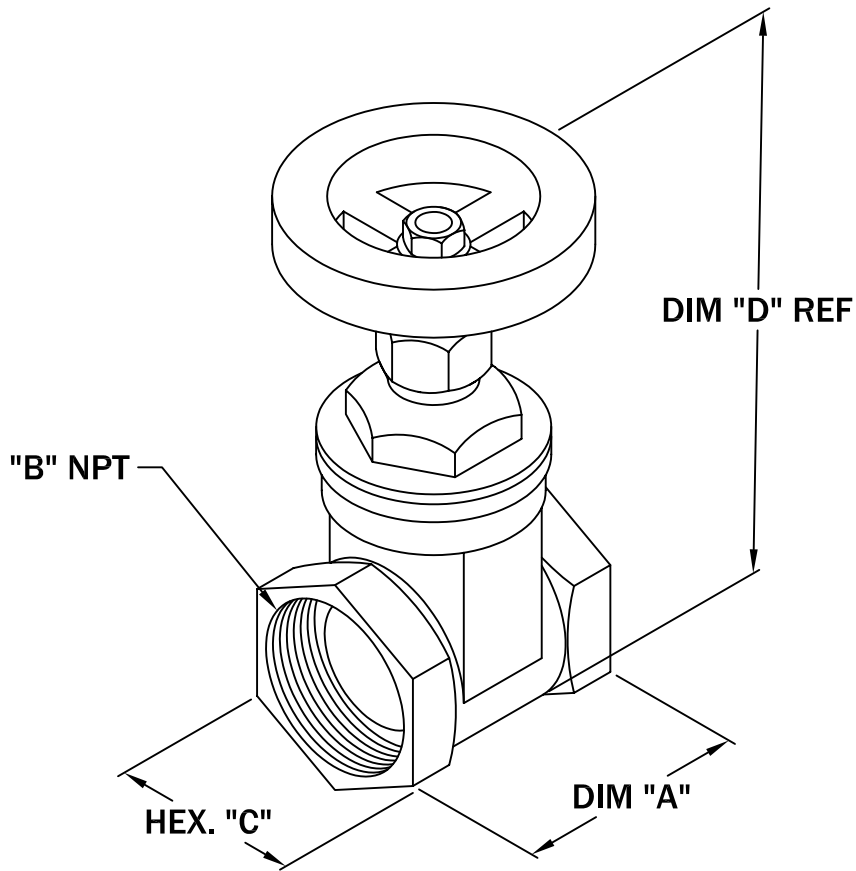


(BGV 125 SHOWN)

GATE VALVES

PAGE
1



MODEL NO.	DIA. "A"	"B" NPT	HEX. "C"	DIM "D"	MAX SOLIDS SIZE
BGV 125	2 3/8"	1 1/4"	1 7/8"	5 1/2"	ø1 3/16"
BGV 200	2 3/4"	2"	2 5/8"	7 1/8"	ø1 7/8"

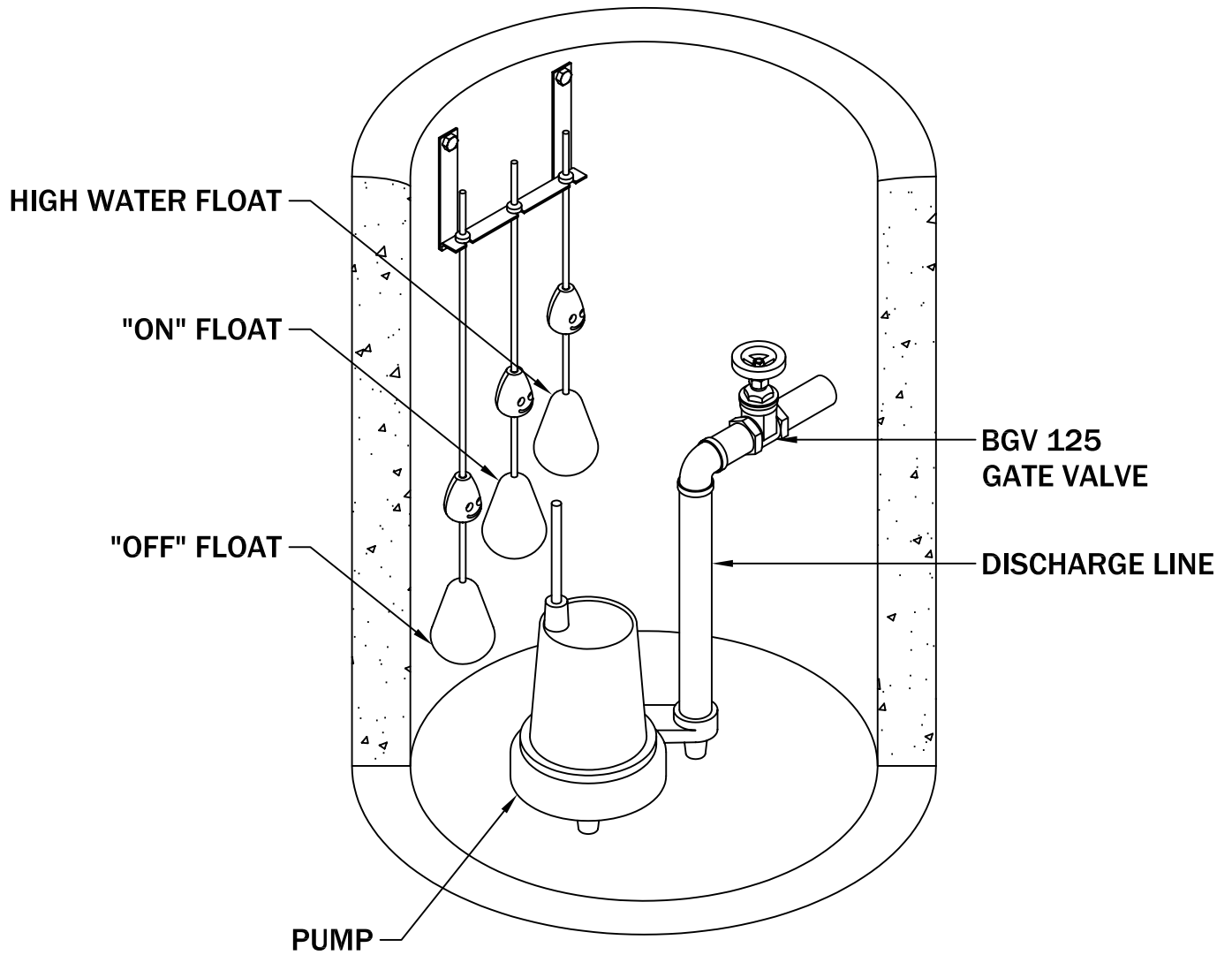
ALL INFORMATION CONTAINED IN THIS DRAWING IS CONFIDENTIAL AND PROPRIETARY TO CONERY MFG, INC.



CHANGES	TOLERANCES	DRAWN BY	DATE	SPECIFICATION SHEET DIMENSIONAL DATA	
F	DECIMALS .xxx = ±.005 .xx = ±.010 FRACTIONAL x/x = ±.1/64 ANGLES x° = ±1/2°	D. MIDDLETON	03/22/04		
E		MATERIAL SPECIFICATION: AS NOTED		HALF	BRASS
D					
C					
B					
A					

TYPICAL APPLICATION

GATE VALVES



ALL INFORMATION CONTAINED IN THIS DRAWING IS CONFIDENTIAL AND PROPRIETARY TO CONERY MFG, INC.



CHANGES	TOLERANCES	DRAWN BY	DATE	SPECIFICATION SHEET DIMENSIONAL DATA	
F	DECIMALS .XXX = ±.005 .XX = ±.010 FRACTIONAL X/X = ±.1/64 ANGLES X° = ±1/2°	D. MIDDLETON	03/22/04		
E		MATERIAL SPECIFICATION: AS NOTED		NONE	BRASS
D					
C					
B					
A					