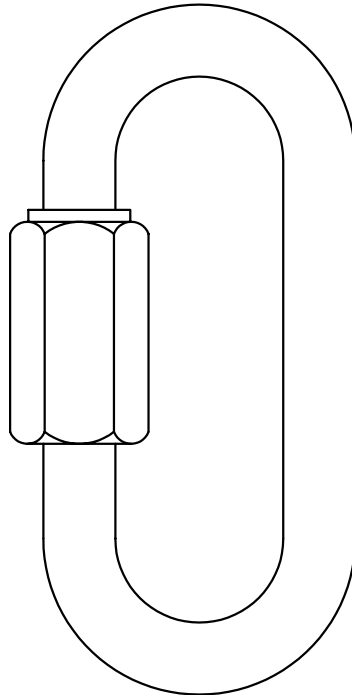
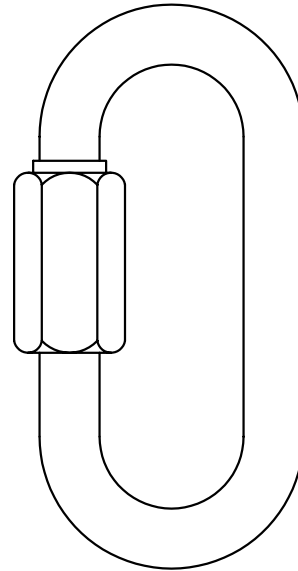


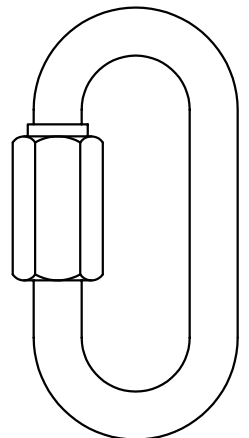
$\frac{1}{2}$ "



$\frac{3}{8}$ "



$\frac{5}{16}$ "



$\frac{1}{4}$ "

SIZE	LENGTH	WIDTH	MATERIAL	SAFE WORK LOAD
1/4"	2.25"	1.06"	316 SST	880 lbs
5/16"	2.94"	1.38"	316 SST	1,700 lbs
3/8"	3.53"	1.63"	316 SST	2,200 lbs
1/2"	4.18"	1.75"	316 SST	3,300 lbs

ALL INFORMATION CONTAINED IN THIS DRAWING IS CONFIDENTIAL AND PROPRIETARY TO CONERY MFG, INC.



CHANGES	TOLERANCES	DRAWN BY	DATE
F	DECIMALS .XXX = ±.005 .XX = ±.010 FRACTIONAL X/X = ±.1/64 ANGLES X° = ±1/2°	D. MIDDLETON	03/22/04
E		MATERIAL SPECIFICATION:	
D			
C			
B			
A			

SPECIFICATION SHEET  
DIMENSIONAL DATA

SCALE: PART NO.  
FULL STAINLESS STEEL