

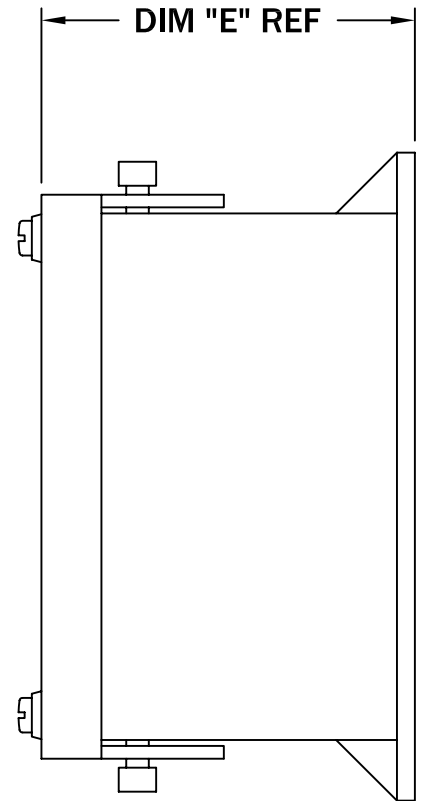
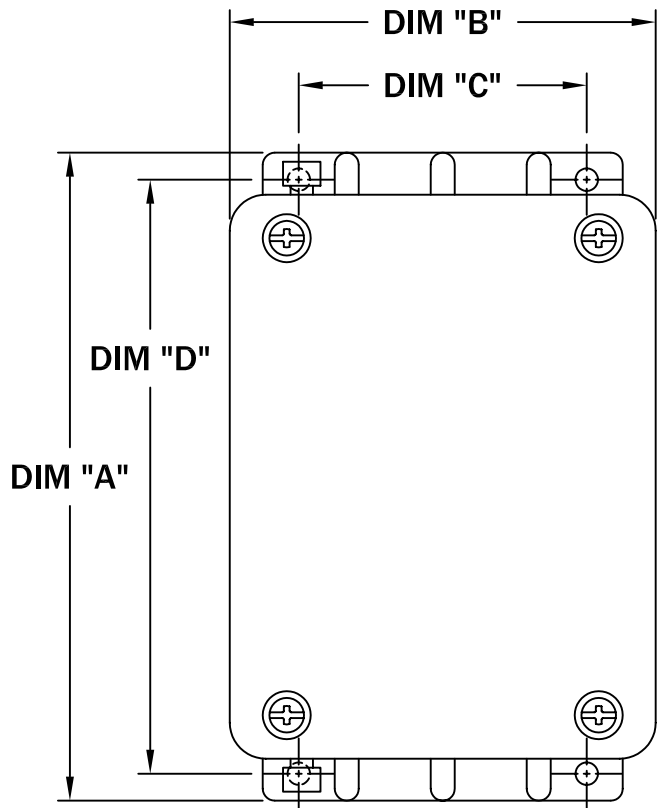
NOTE: JUNCTION BOX CAN BE USED FOR INDOOR OR OUTDOOR APPLICATIONS.
NON-METALLIC (POLYPROPYLENE) ENCLOSURE IS TYPE 4X.

JUNCTION BOX

PAGE
1

(FRONT)

(SIDE)



MODEL NO.	DIA. "A"	DIM "B"	DIM "C"	DIM "D"	DIM "E"
JB35	6 3/4"	4 7/16"	3"	6 3/16"	3 57/64"
JB57	8 23/32"	5 57/64"	4 5/16"	8 1/4"	4 11/16"

ALL INFORMATION CONTAINED IN THIS DRAWING IS CONFIDENTIAL AND PROPRIETARY TO CONERY MFG, INC.



CHANGES	TOLERANCES	DRAWN BY	DATE
F	DECIMALS .xxx = ±.005 .xx = ±.010 FRACTIONAL x/x = ±.1/64 ANGLES x' = ±1/2'	D. MIDDLETON	03/22/04
E		MATERIAL SPECIFICATION: AS NOTED	
D			
C			
B			
A			

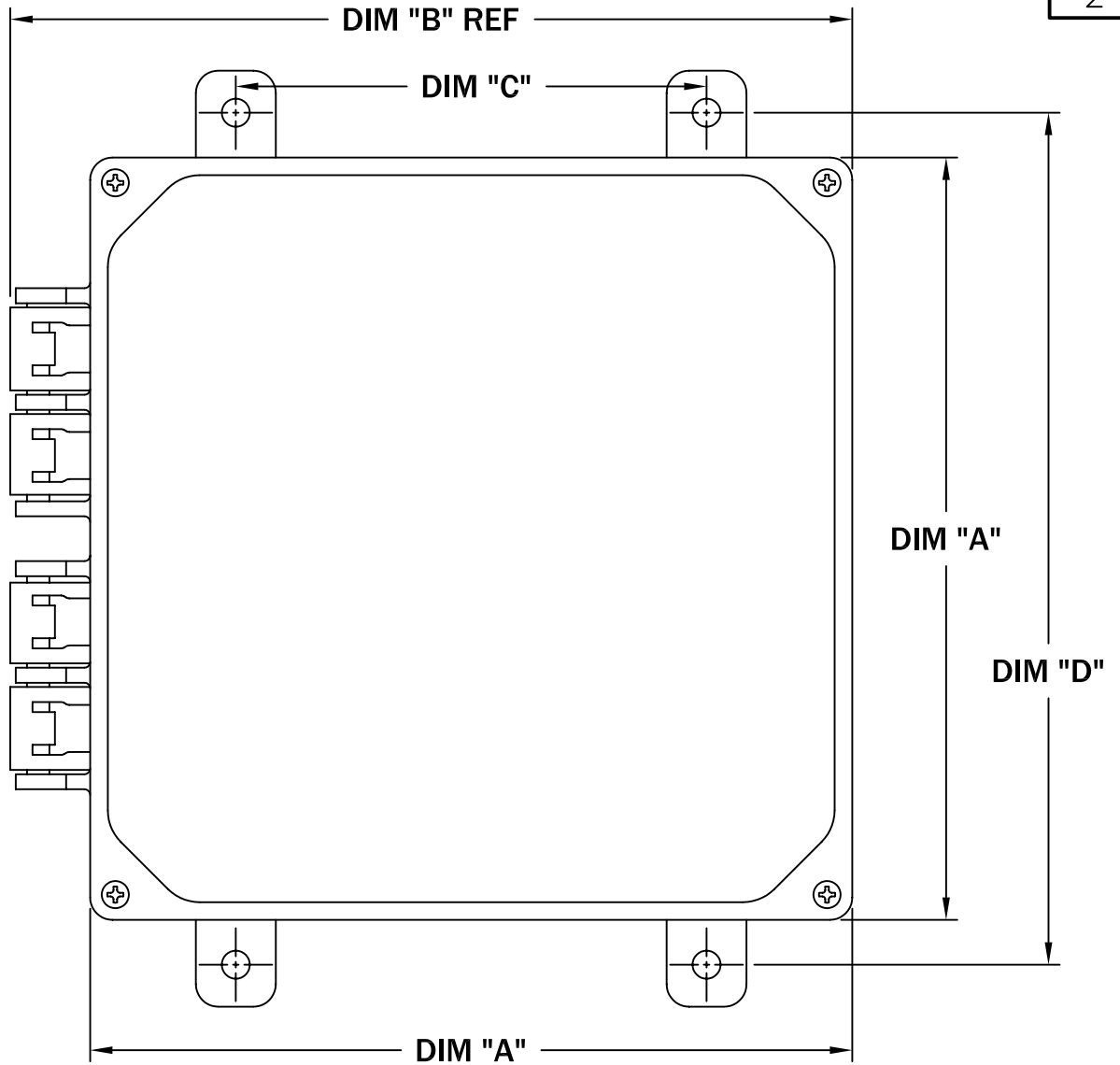
SPECIFICATION SHEET
DIMENSIONAL DATA

SCALE: PART NO.
HALF JUNCTION BOX

NOTE: JUNCTION BOX CAN BE USED FOR INDOOR OR OUTDOOR APPLICATIONS.
NON-METALLIC (POLYCARBONATE) ENCLOSURE IS TYPE 4X.

JUNCTION BOX

PAGE
2



MODEL NO.	DIA. "A"	DIM "B"	DIM "C"	DIM "D"	HIEGHT
JB88	8 1/2"	9 25/64"	5 1/4"	9 1/2"	5 23/64"

ALL INFORMATION CONTAINED IN THIS DRAWING IS CONFIDENTIAL AND PROPRIETARY TO CONERY MFG, INC.



CHANGES	TOLERANCES	DRAWN BY	DATE	SPECIFICATION SHEET DIMENSIONAL DATA	
F	DECIMALS .XXX = ±.005 .XX = ±.010 FRACTIONAL X/X = ±.1/64 ANGLES X' = ±1/2'	D. MIDDLETON	03/22/04	SCALE:	PART NO.
E		MATERIAL SPECIFICATION: AS NOTED		HALF	JUNCTION BOX
D					
C					
B					
A					