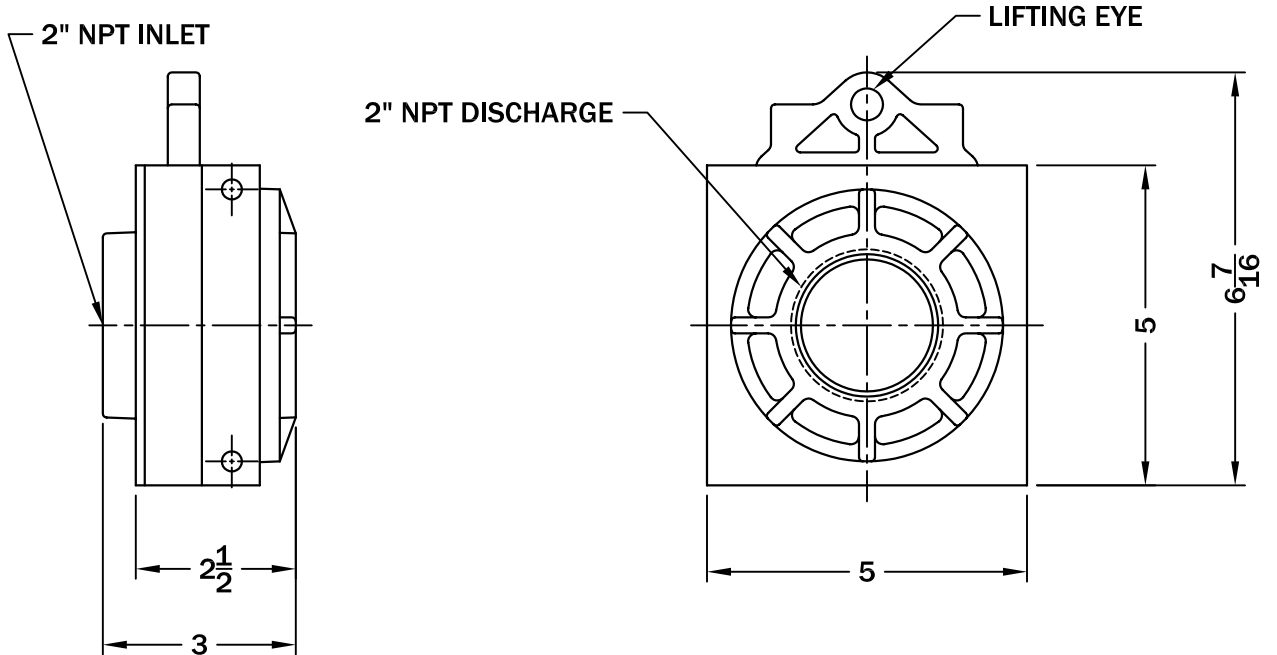


**NOTE: DIMENSIONS IN INCHES**  
**MATERIALS OF CONTRUCTION:**  
**CRADLE - THERMOPLASTIC**  
**PULL-OUT - THERMOPLASTIC**  
**SEAL - BUNA -N**  
**MAXIMUM WEIGHT ALLOWANCE: 90 lbs**



ALL INFORMATION CONTAINED IN THIS DRAWING IS  
 CONFIDENTIAL AND PROPRIETARY TO CONERY MFG, INC.

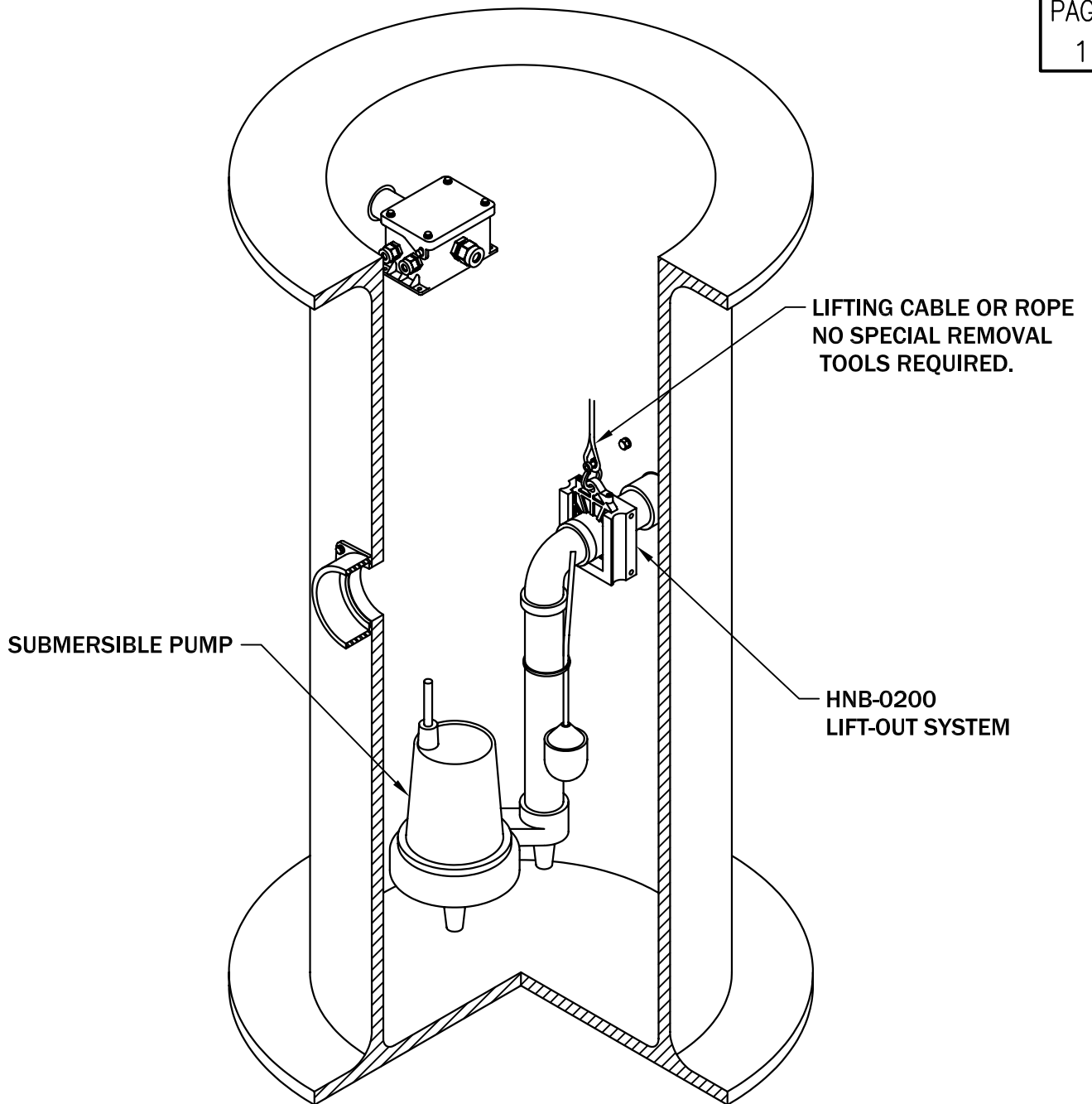


CHANGES	TOLERANCES	DRAWN BY	DATE	SPECIFICATION SHEET DIMENSIONAL DATA	
F	DECIMALS .XXX = ±.005 .XX = ±.010 FRACTIONAL X/X = ±.1/64 ANGLES X° = ±1/2°	D. MIDDLETON	03/17/07	SCALE:	PART NO.
E		MATERIAL SPECIFICATION:  AS NOTED		NONE	2" LIFT OUT ASSEMBLY
D					
C					
B					
A					

**TYPICAL INSTALLATION:**

**HNB-200**

PAGE  
1



ALL INFORMATION CONTAINED IN THIS DRAWING IS  
CONFIDENTIAL AND PROPRIETARY TO CONERY MFG, INC.

CHANGES	TOLERANCES	DRAWN BY	DATE	SPECIFICATION SHEET DIMENSIONAL DATA	
F	DECIMALS .XXX = ±.005 .XX = ±.010 FRACTIONAL X/X = ±.1/64 ANGLES X° = ±1/2°	D. MIDDLETON	03/17/07		
E		MATERIAL SPECIFICATION:  AS NOTED		NONE	2" LIFT OUT ASSEMBLY
D					
C					
B					
A					