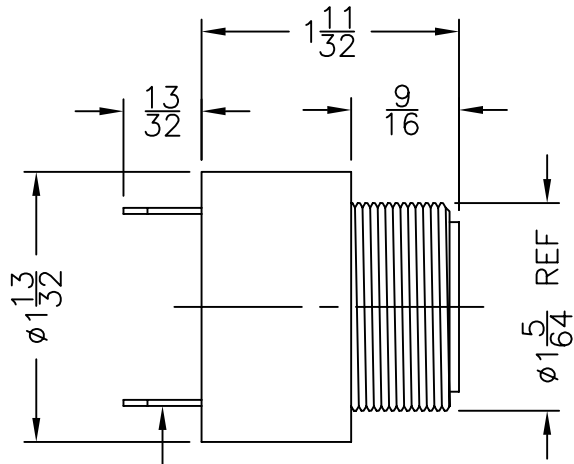


PIEZO BUZZER

PAGE
1

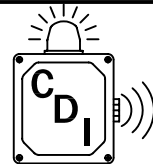
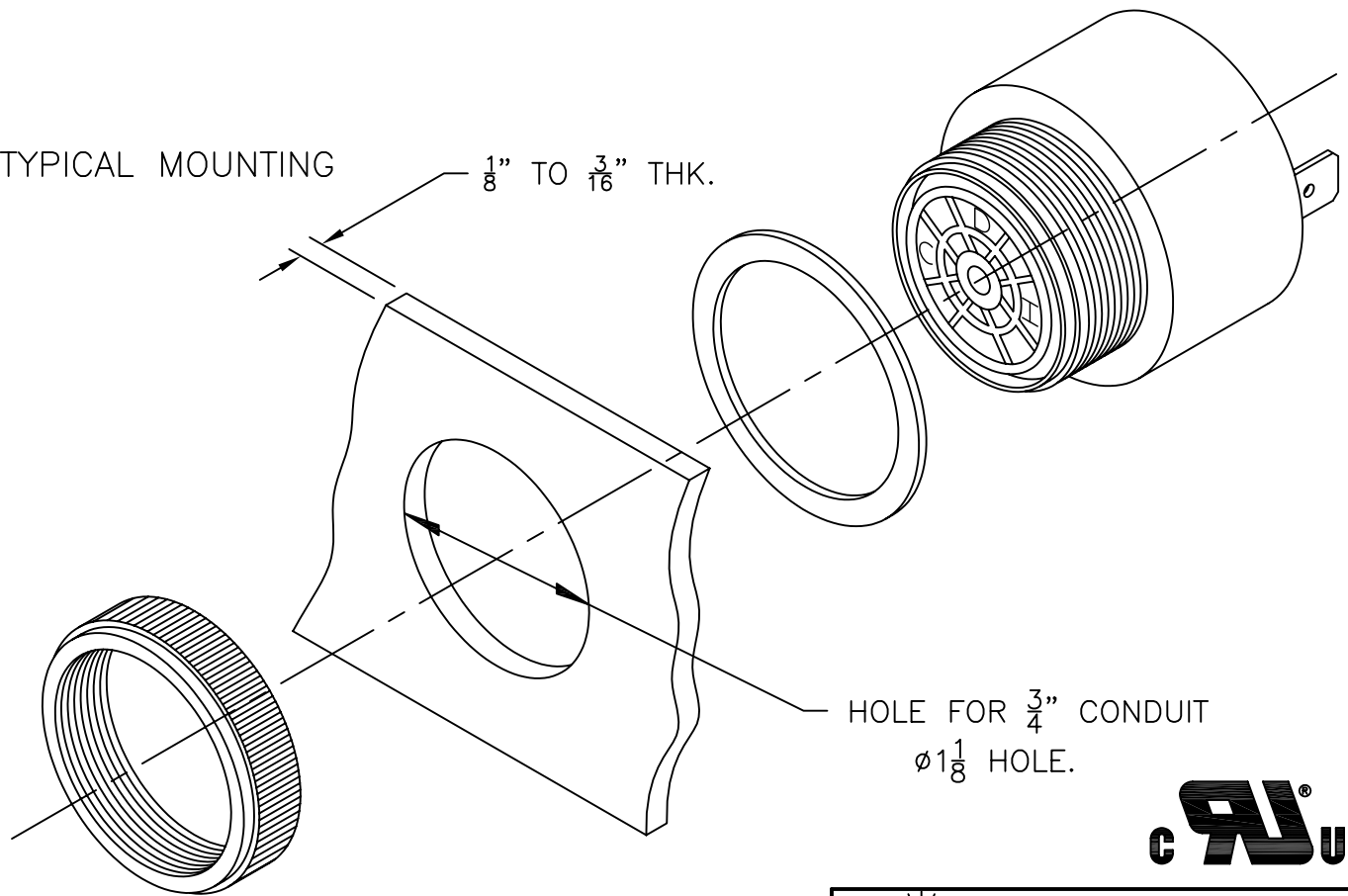


SPECIFICATIONS:

OUTPUT LEVEL: 95dB @ 2 FEET
85dB @ 10 FEET
VOLTAGE RANGE: 40-120 VAC
OPERATING CURRENT: 15mA @ 120VAC
TONE TYPE: WARBLE
MEETS NEMA REQUIREMENTS FOR
TYPE 3, 3R, 4X, 12, AND 13.
UL RECOGNIZED #S8521

$\frac{1}{4}$ " QUICK CONNECT TABS

TYPICAL MOUNTING



**Component
Design, Inc.**

ALL INFORMATION CONTAINED IN THIS DRAWING IS
CONFIDENTIAL AND PROPRIETARY TO CONERY MFG, INC.

CHANGES	TOLERANCES	DRAWN BY	DATE	SPECIFICATION SHEET DIMENSIONAL DATA	
F	DECIMALS .XXX = ±.005 .XX = ±.010 FRACTIONAL X/X = ±.1/64 ANGLES X° = ±1/2°	D. MIDDLETON	03/10/04	SCALE:	PART NO.
E		MATERIAL SPECIFICATION: AS NOTED		FULL	PIEZO BUZZER
D					
C					
B					
A					