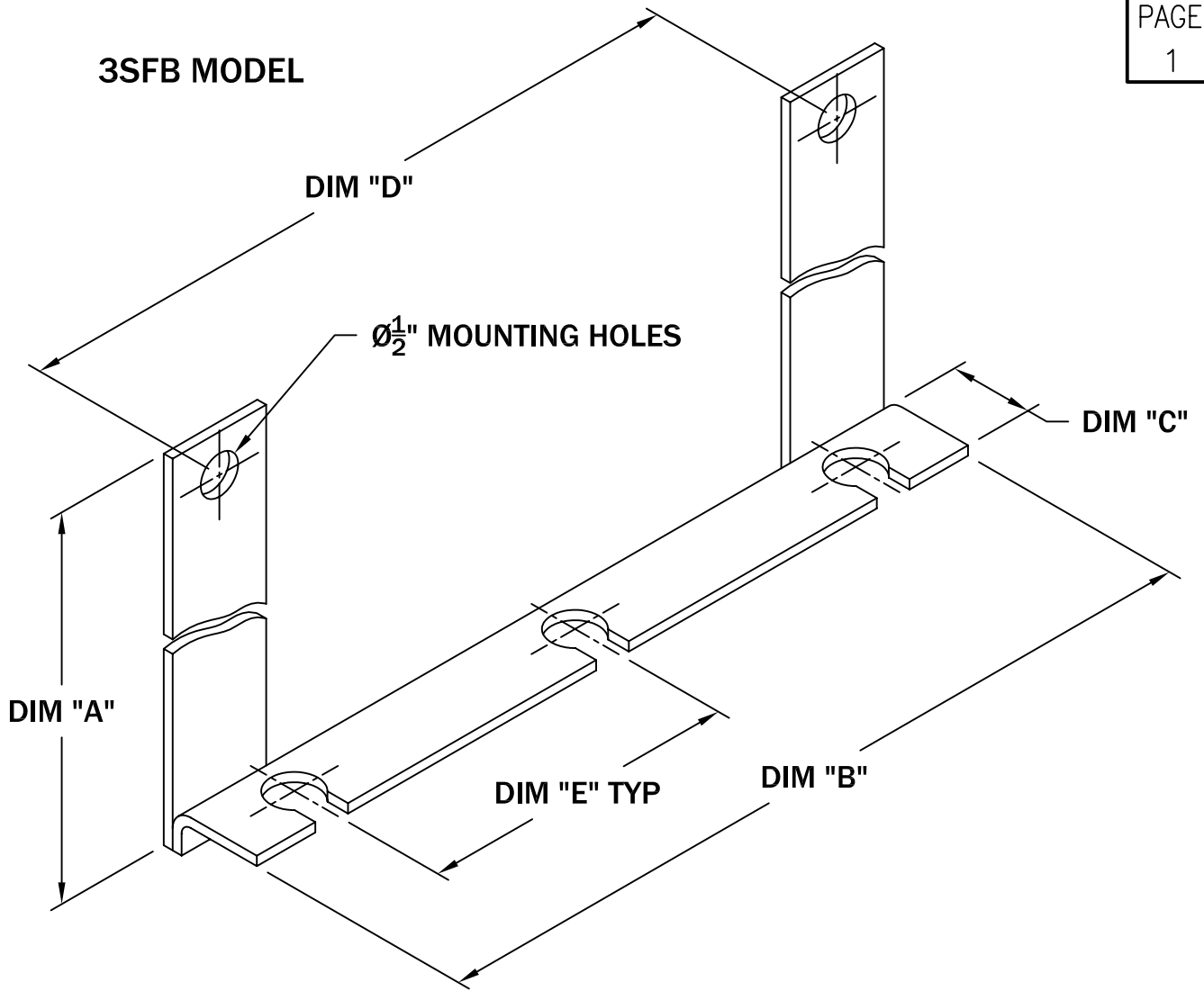


FLOAT BRACKET

PAGE
1

3SFB MODEL



MODEL NO.	DIA. "A"	DIM "B"	DIM "C"	DIM "D"	DIM "E"
3SFB	7"	9 1/2"	1 1/4"	8 1/8"	3 3/4"
4SFB	7"	13"	1 1/4"	11 5/8"	3 3/4"
5SFB	7"	16 3/4"	1 1/4"	15 3/8"	3 3/4"

ALL INFORMATION CONTAINED IN THIS DRAWING IS
CONFIDENTIAL AND PROPRIETARY TO CONERY MFG, INC.



CHANGES	TOLERANCES	DRAWN BY	DATE	SPECIFICATION SHEET DIMENSIONAL DATA	
F	DECIMALS .XXX = ±.005 .XX = ±.010 FRACTIONAL X/X = ±.1/64 ANGLES X' = ±1/2'	D. MIDDLETON	03/22/04	SCALE:	PART NO.
E		MATERIAL SPECIFICATION: 300 SERIES SST		HALF	"U" SHAPED
D					
C					
B					
A					

TYPICAL APPLICATIONS

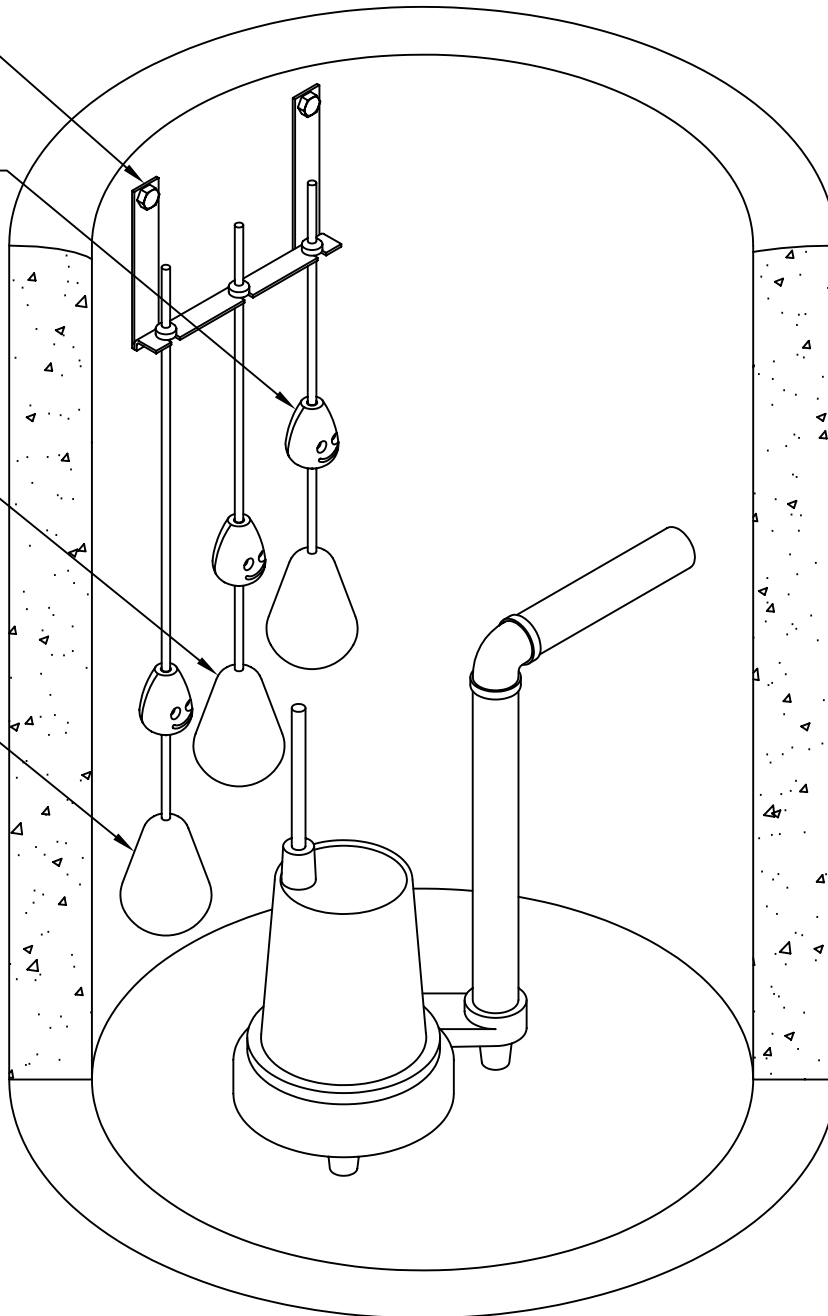
FLOAT BRACKET

FLOAT BRACKET

HIGH WATER
FLOAT SWITCH

PUMP "ON"
FLOAT SWITCH

PUMP "OFF"
FLOAT SWITCH



ALL INFORMATION CONTAINED IN THIS DRAWING IS
CONFIDENTIAL AND PROPRIETARY TO CONERY MFG, INC.



MFG INC

CHANGES	TOLERANCES	DRAWN BY	DATE	SPECIFICATION SHEET DIMENSIONAL DATA	
F	DECIMALS .xxx = ±.005 .xx = ±.010 FRACTIONAL x/x = ±.1/64 ANGLES x' = ±1/2'	D. MIDDLETON	03/22/04	SCALE:	PART NO.
E		MATERIAL SPECIFICATION: 300 SERIES SST		HALF	"U" SHAPED
D					
C					
B					
A					