

**SPECIFICATIONS:**

FLASH SPEED: 75 PER MINUTE

INPUT VOLTAGE: 120 VAC

UL RECOGNIZED COMPONENT

1/4" QUICK CONNECT TERMINALS

DIMENSIONS: LENGTH 1 3/4"

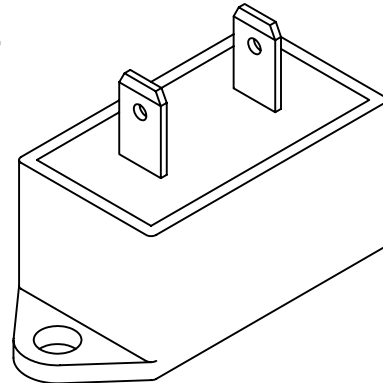
WIDTH: 1 3/8"

HIEGHT: 1 5/32"

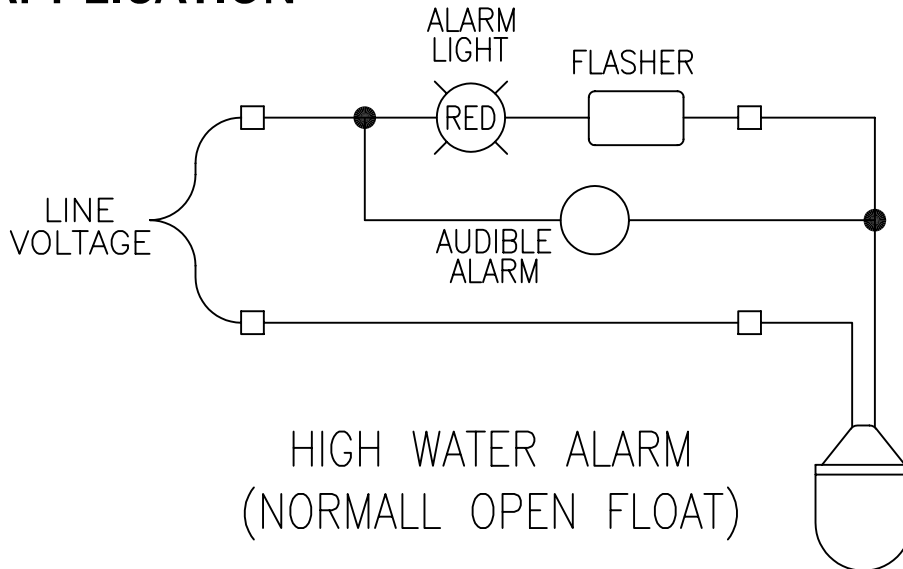
MAX. SCREW SIZE: #8

**FLASHER**

PAGE  
1



**TYPICAL APPLICATION**




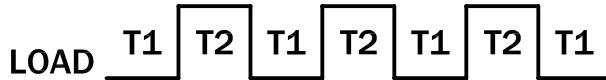
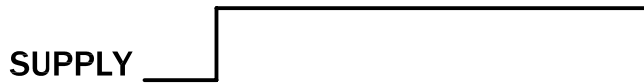
ALL INFORMATION CONTAINED IN THIS DRAWING IS CONFIDENTIAL AND PROPRIETARY TO CONERY MFG, INC.



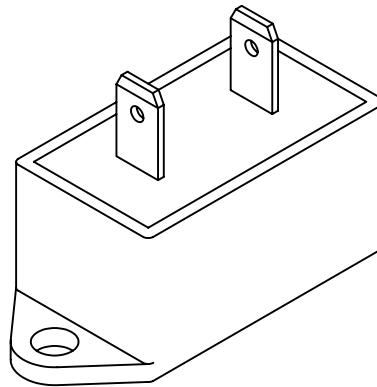
**Component Design, Inc.**

CHANGES	TOLERANCES	DRAWN BY	DATE	SPECIFICATION SHEET DIMENSIONAL DATA	
F	DECIMALS .XXX = ±.005	D. MIDDLETON	03/10/04		
E	.XX = ±.010	MATERIAL SPECIFICATION:  AS NOTED		SCALE:	PART NO.
D	FRACTIONAL			FULL	SOLID STATE
C	X/X = ±.1/64				
B	ANGLES				
A	X' = ±1/2'				

TECHNICAL DATA		FLASHER	
INPUT VOLTAGE	120 VAC, ±10%; 50/60Hz	 UL Recognized #E226322	PAGE 1
FLASH RATE	Factory Fixed 75 FPM, ±15%		
OUTPUT RATINGS	1 Amp Resistive (Full wave)		
	10A Maximum (Inrush)		
OPERATING TEMP.	-20° C TO +60° C		
STORAGE TEMP.	-40° C TO + 85° C		
TERMINATION TYPE	0.250" Quick Connect Tabs		
MOUNTING	#8 Screw Maximum		
DIMENSIONS	1 3/4" L x 1 3/16" W X 1 5/32" H		
CONSTRUCTION	Thermoplastic Housing		
	Completely Encapsulated		



T1 = "OFF" TIME; T2 = "ON" TIME



ALL INFORMATION CONTAINED IN THIS DRAWING IS CONFIDENTIAL AND PROPRIETARY TO CONERY MFG, INC.



**Component Design, Inc.**

CHANGES	TOLERANCES	DRAWN BY	DATE	SPECIFICATION SHEET DIMENSIONAL DATA	
F	DECIMALS .XXX = ±.005 .XX = ±.010 FRACTIONAL X/X = ±.1/64 ANGLES X° = ±1/2°	D. MIDDLETON	03/10/04	SCALE: PART NO.	
E		MATERIAL SPECIFICATION:  AS NOTED			
D					
C					
B					
A					