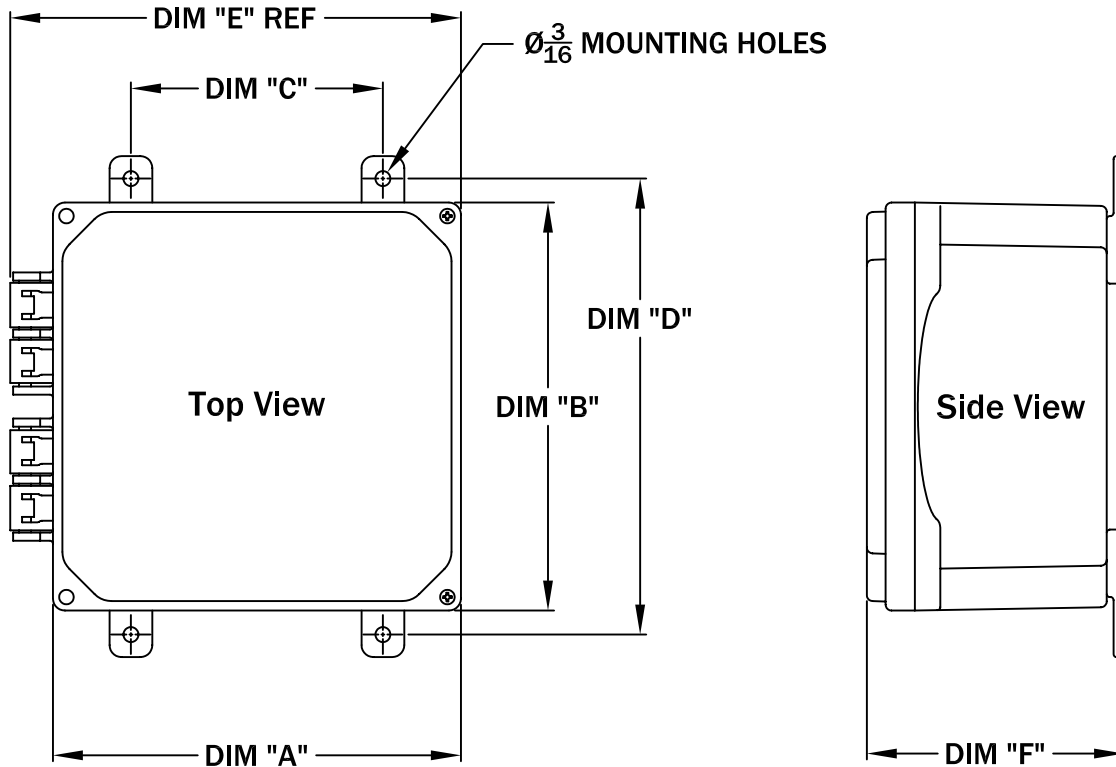


NOTE: ENCLOSURE CAN BE USED FOR INDOOR OR OUTDOOR APPLICATIONS.

POLYCARBONATE ENCLOSURE IS TYPE 1,2,3,3R,3S,4, 4X, 5, 6/6P,12 & MARINE USE. ADD "LL" TO MODEL NO. FOR SST LOCKABLE LATCH.

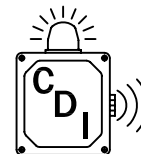
ENCLOSURES

8084H SHOWN



MODEL NO.	DIM. "A"	DIM "B"	DIM "C"	DIM "D"	DIM "E"	DIM "F"
6064H/6064HLL	6 1/2"	6 1/2"	3 3/4"	7 1/4"	7 7/16"	5 1/4"
8064H/8064HLL	6 7/16"	8 7/16"	4"	8 3/4"	7 3/8"	5 1/4"
8084H/8084HLL	8 1/2"	8 7/16"	5 1/4"	9 1/2"	9 5/16"	5 1/4"

ALL INFORMATION CONTAINED IN THIS DRAWING IS CONFIDENTIAL AND PROPRIETARY TO CDI.



COMPONENT DESIGN, INC.

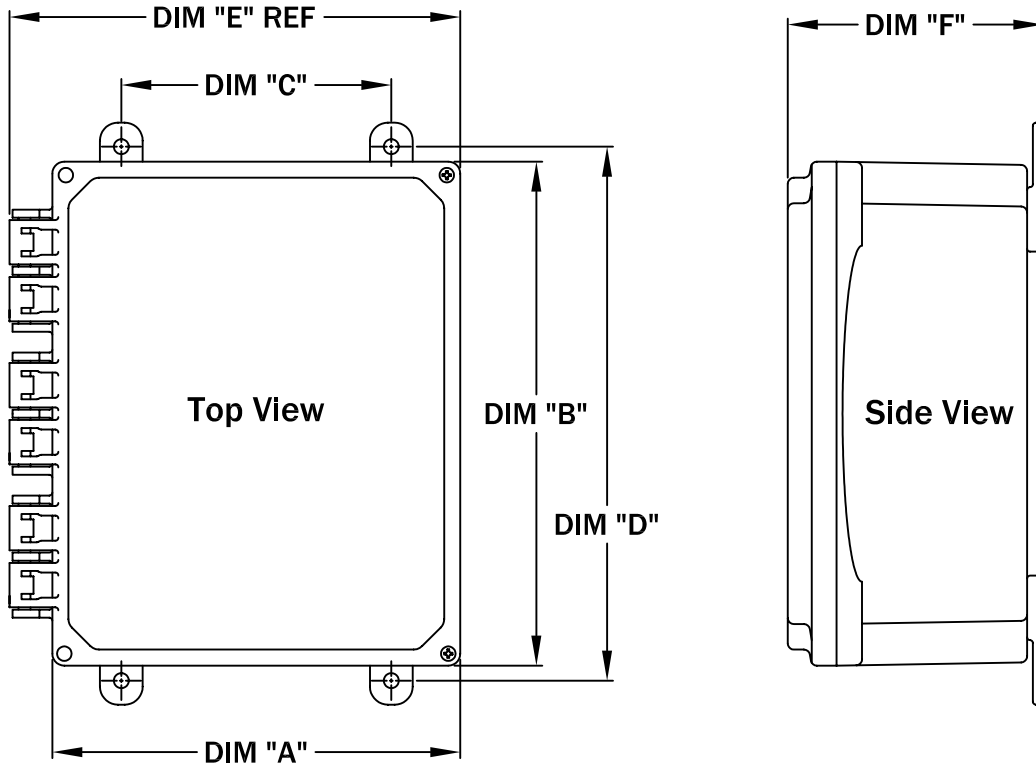
CHANGES	TOLERANCES	DRAWN BY	DATE	SPECIFICATION SHEET DIMENSIONAL DATA	
F	DECIMALS .XXX = ±.005 .XX = ±.010 FRACTIONAL X/X = ±.1/64 ANGLES X° = ±1/2°	D. MIDDLETON	03/22/04	SCALE:	PART NO.
E				MATERIAL SPECIFICATION: AS NOTED	1/4
D					
C					
B					
A					

NOTE: ENCLOSURE CAN BE USED FOR INDOOR OR OUTDOOR APPLICATIONS.

POLYCARBONATE ENCLOSURE IS TYPE 1,2,3,3R,3S,4, 4X, 5, 6/6P,12 & MARINE USE. ADD "LL" TO MODEL NO. FOR SST LOCKABLE LATCH.

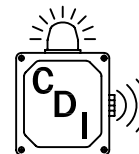
ENCLOSURES

10084H SHOWN



MODEL NO.	DIM. "A"	DIM "B"	DIM "C"	DIM "D"	DIM "E"	DIM "F"
10084H/10084HLL	8 1/2"	10 1/2"	5 3/4"	11 1/4"	9 5/16"	5 1/4"
10086H/10086HLL	8 1/2"	10 1/2"	5 3/4"	11"	9 5/16"	7 1/4"
12106H/12106HLL	10 1/2"	12 1/2"	7 5/8"	13 1/8"	11 1/2"	7 1/4"
14126H/14126HLL	12 19/32"	14 19/32"	10"	14 3/4"	13 1/2"	7 5/16"
181610H/181610HLL	17"	19"	14"	18 3/4"	17 3/4"	11 1/2"

ALL INFORMATION CONTAINED IN THIS DRAWING IS CONFIDENTIAL AND PROPRIETARY TO CDI.



COMPONENT DESIGN, INC.

CHANGES	TOLERANCES	DRAWN BY	DATE
F	DECIMALS .xxx = ±.005 .xx = ±.010 FRACTIONAL x/x = ±.1/64 ANGLES x' = ±1/2"	D. MIDDLETON	03/22/04
E		MATERIAL SPECIFICATION: AS NOTED	
D			
C			
B			
A			

**SPECIFICATION SHEET
DIMENSIONAL DATA**

SCALE: PART NO.

1/4

3 HINGE