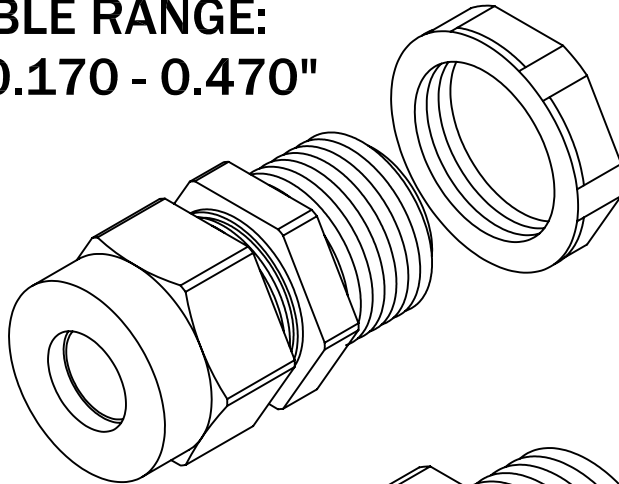


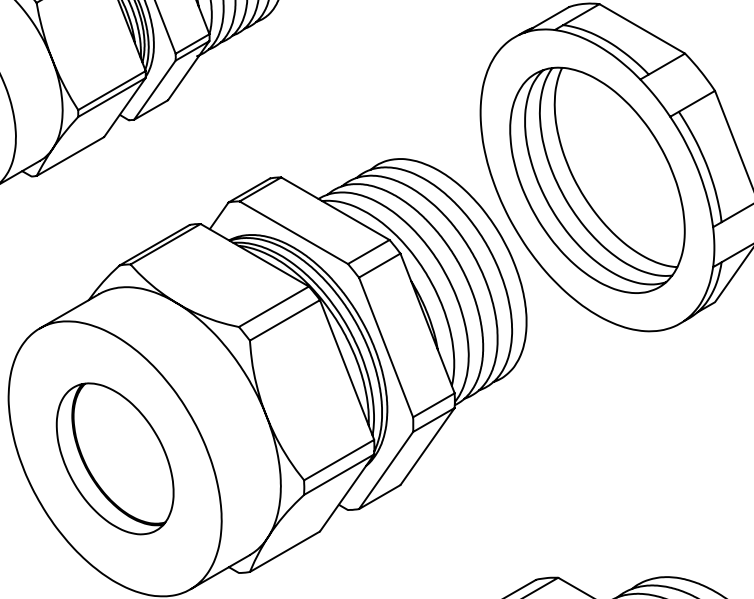
1/2" CG
CABLE RANGE:
0.170 - 0.470"

CORD GRIP

PAGE
 1

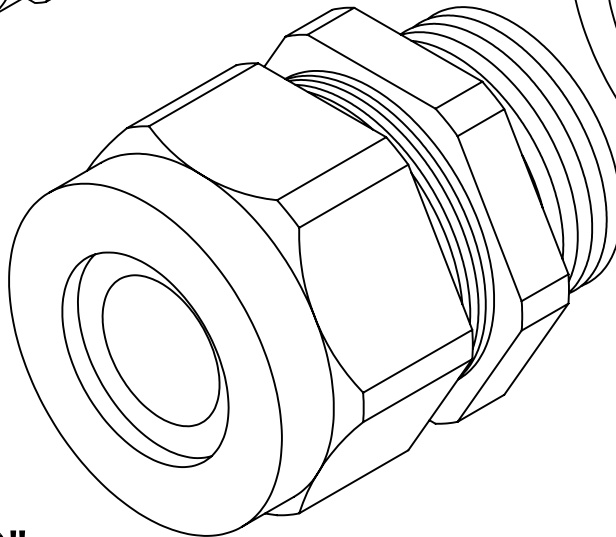


3/4" CG
CABLE RANGE:
0.450 - 0.709"



SUITABLE FOR
NEMA TYPE 4 & 6
APPLICATIONS

1" CG
CABLE RANGE:
0.710 - 1.000"



ALL INFORMATION CONTAINED IN THIS DRAWING IS
 CONFIDENTIAL AND PROPRIETARY TO CONERY MFG, INC.



CHANGES	TOLERANCES	DRAWN BY	DATE
F	DECIMALS	D. MIDDLETON	07/18/05
E	.XXX = ±.005	MATERIAL SPECIFICATION: POLYAMIDE OR NYLON	
D	.XX = ±.010		
C	FRACTIONAL		
B	X/X = ±.1/64		
A	ANGLES		
	X' = ±1/2'		

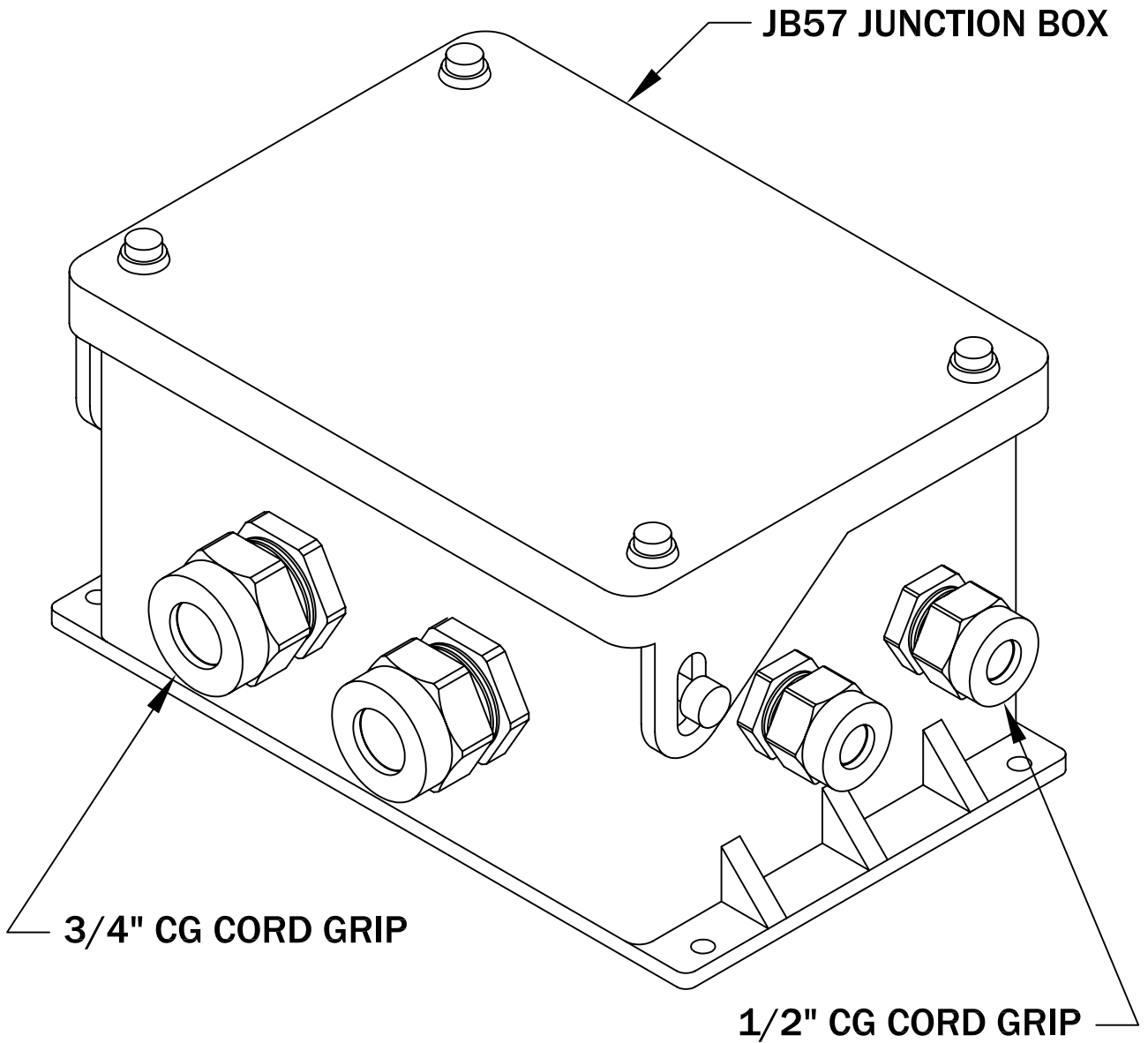
SPECIFICATION SHEET
DIMENSIONAL DATA

SCALE: PART NO.
FULL CORD GRIP

**TYPICAL APPLICATION:
JUNCTION BOX**

CORD GRIP

PAGE
2



ALL INFORMATION CONTAINED IN THIS DRAWING IS
CONFIDENTIAL AND PROPRIETARY TO CONERY MFG, INC.



CHANGES		TOLERANCES		DRAWN BY		DATE	
F		DECIMALS		D. MIDDLETON		07/18/05	
E		.XXX = ±.005		MATERIAL SPECIFICATION: SEE PAGE 1			
D		.XX = ±.010					
C		FRACTIONAL					
B		X/X = ±.1/64					
A		ANGLES					
		X° = ±1/2°		SCALE:		PART NO.	
				NONE		CORD GRIP	

**SPECIFICATION SHEET
DIMENSIONAL DATA**