

ALL INFORMATION CONTAINED IN THIS DRAWING IS CONFIDENTIAL AND PROPRIETARY TO CONERY MFG, INC.



CHANGES	TOLERANCES	DRAWN BY	DATE
F	DECIMALS .XXX = ±.005 .XX = ±.010 FRACTIONAL X/X = ±.1/64 ANGLES X° = ±1/2°	D. MIDDLETON	10/07/06
E		MATERIAL SPECIFICATION:	
D			
C			
B			
A			

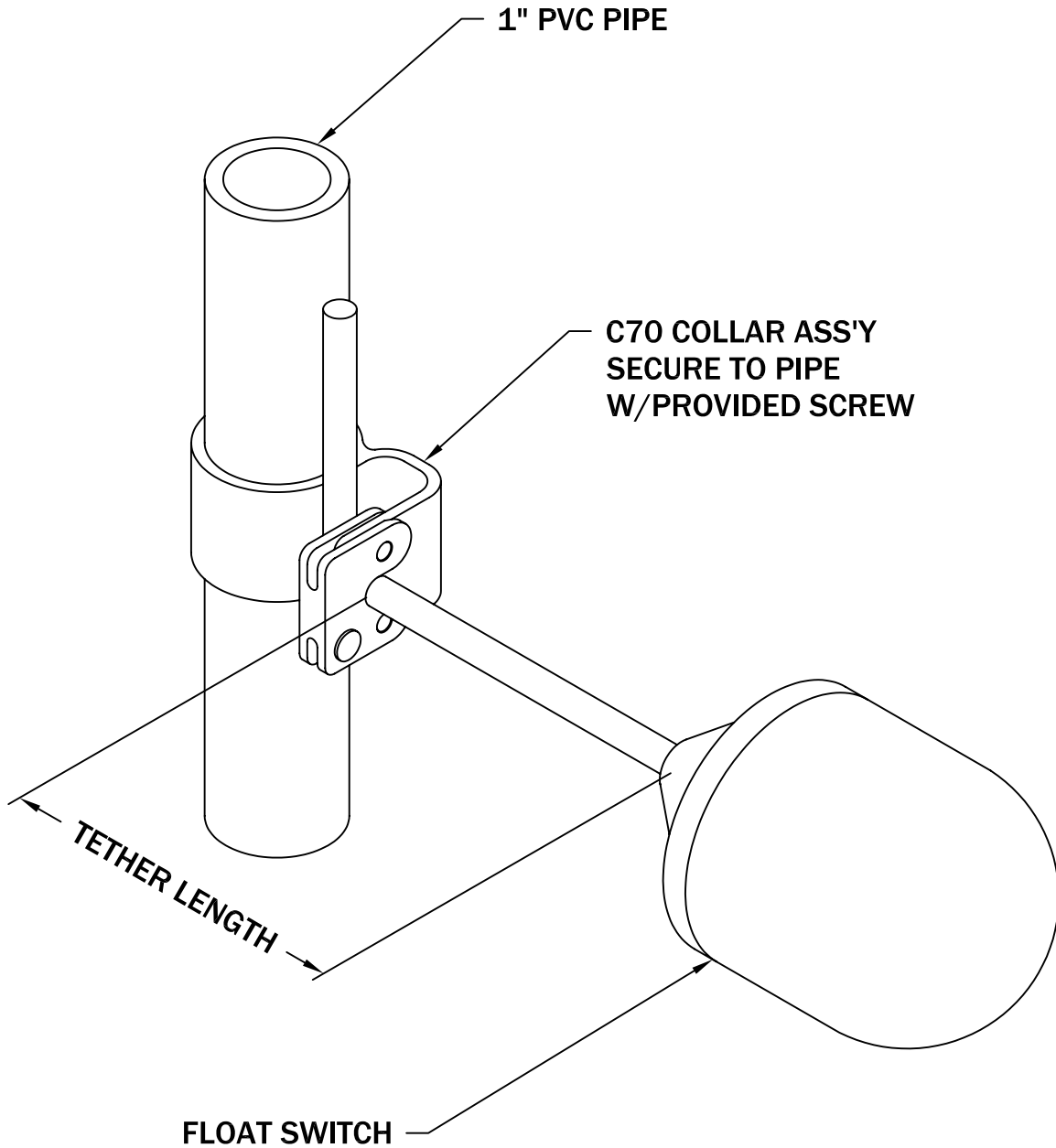
SPECIFICATION SHEET
DIMENSIONAL DATA

SCALE:	PART NO.
FULL	FLOAT COLLAR

EXAMPLE INSTALLATION

C70 SERIES

PAGE
1



ALL INFORMATION CONTAINED IN THIS DRAWING IS
CONFIDENTIAL AND PROPRIETARY TO CONERY MFG, INC.



MFG INC

CHANGES	TOLERANCES	DRAWN BY	DATE	SPECIFICATION SHEET DIMENSIONAL DATA	
F	DECIMALS .xxx = ±.005 .xx = ±.010 FRACTIONAL x/x = ±.1/64 ANGLES x° = ±1/2°	D. MIDDLETON	10/07/06	SCALE:	PART NO.
E		MATERIAL SPECIFICATION:		NONE	FLOAT COLLAR
D					
C					
B					
A					