

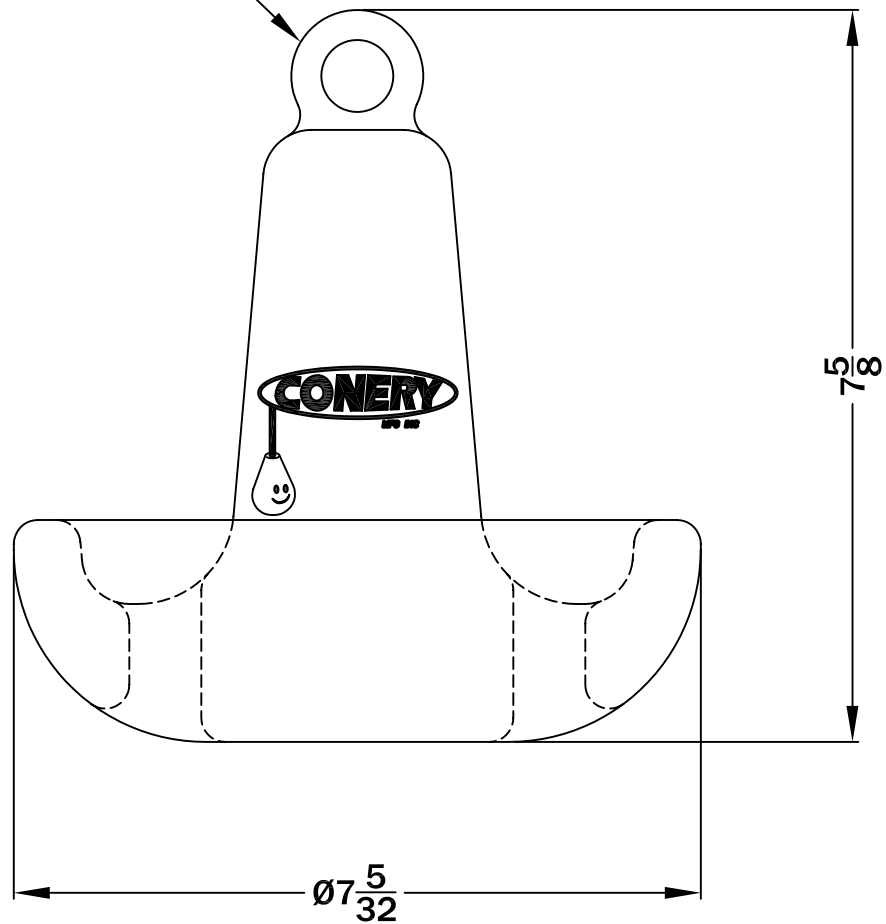
AKR-10-3 KIT CONTAINS:

- 10' OF $\varnothing \frac{1}{4}$ " SST CABLE
- 2 SST $\frac{1}{4}$ " SHACKLES
- 3 SST FLOAT CLAMPS
- 1 PVC COATED 15 lb ANCHOR.

AKR-10-3

PAGE
1

LIFTING RING



ALL INFORMATION CONTAINED IN THIS DRAWING IS
CONFIDENTIAL AND PROPRIETARY TO CONERY MFG, INC.



CHANGES	TOLERANCES	DRAWN BY	DATE
F	DECIMALS	D. MIDDLETON	05/04/04
E	.XXX = ±.005	MATERIAL SPECIFICATION: AS NOTED	
D	.XX = ±.010		
C	FRACTIONAL		
B	X/X = ±.1/64		
A	ANGLES		
	X' = ±1/2'		

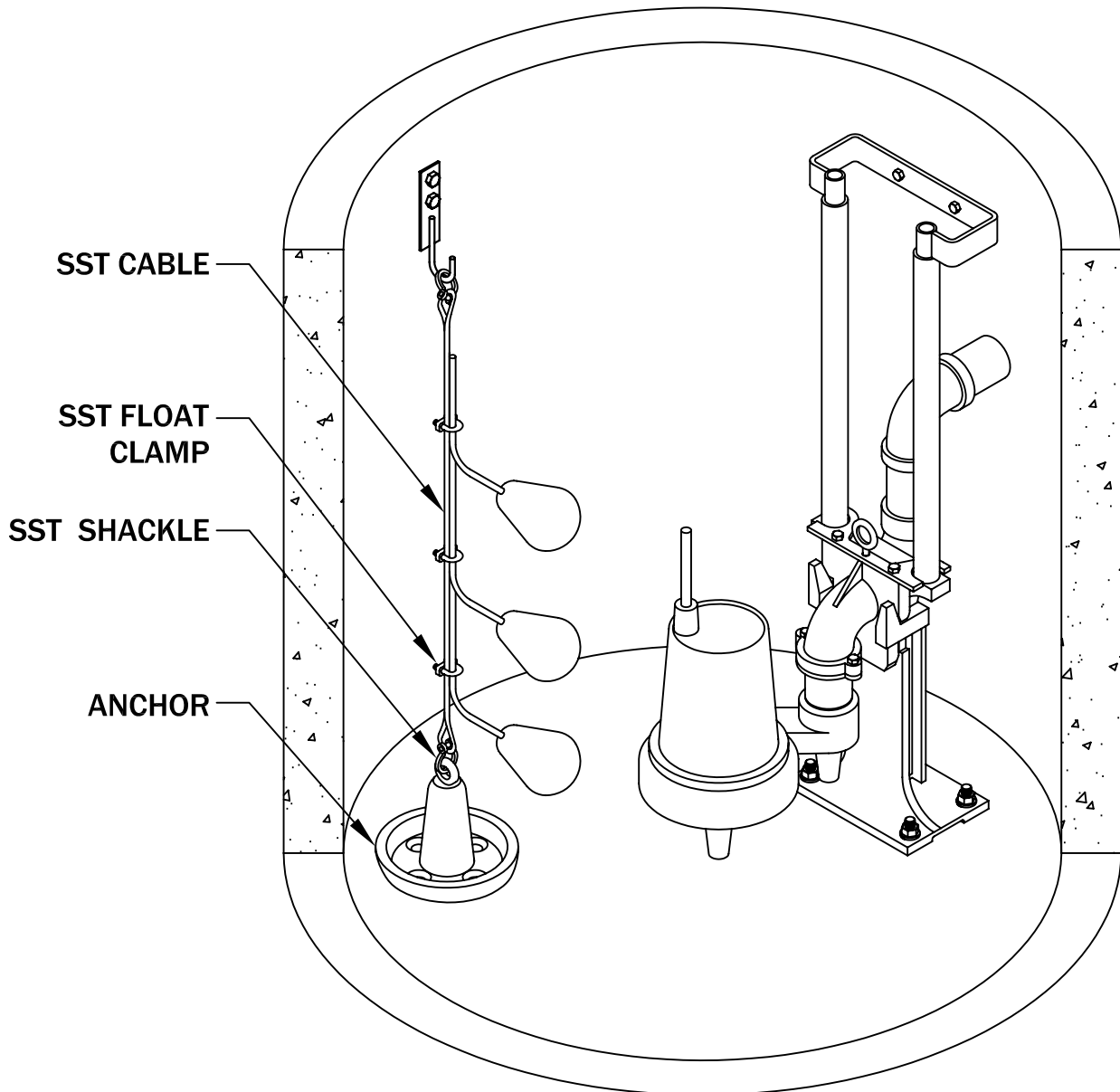
**SPECIFICATION SHEET
DIMENSIONAL DATA**

SCALE: PART NO.
HALF ANCHOR KIT

TYPICAL APPLICATION

AKR-10-3

PAGE
2



ALL INFORMATION CONTAINED IN THIS DRAWING IS
CONFIDENTIAL AND PROPRIETARY TO CONERY MFG, INC.



CHANGES	TOLERANCES	DRAWN BY	DATE	SPECIFICATION SHEET DIMENSIONAL DATA	
F	DECIMALS .XXX = ±.005 .XX = ±.010 FRACTIONAL X/X = ±.1/64 ANGLES X° = ±1/2°	D. MIDDLETON	03/22/04	SCALE:	PART NO.
E		MATERIAL SPECIFICATION: AS NOTED		NONE	ANCHOR KIT
D					
C					
B					
A					