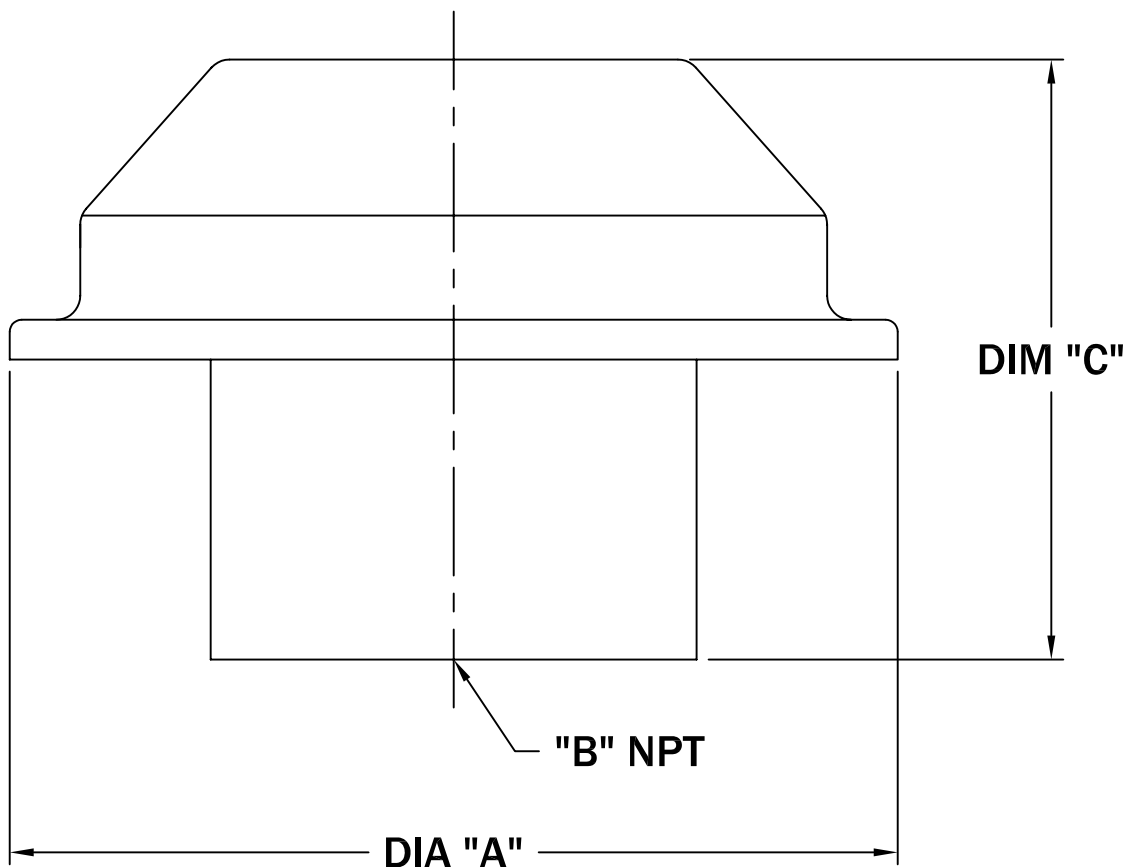


(MGV2 SHOWN)



MODEL NO.	DIA. "A"	"B" NPT	DIM "C"	PIPE AREA	SCREEN AREA
MGV2	4 5/8"	2"	3 1/8"	3.14 sq. in.	6.88 sq. in.
MGV3	6 7/8"	3"	4 1/2"	7.07 sq. in.	19.64 sq. in.
MGV4	9 1/4"	4"	5"	12.56 sq. in.	35.86 sq. in.
MGV6	11 1/8"	6"	6 5/8"	28.26 sq. in.	42.55 sq. in.

ALL INFORMATION CONTAINED IN THIS DRAWING IS CONFIDENTIAL AND PROPRIETARY TO CONERY MFG, INC.



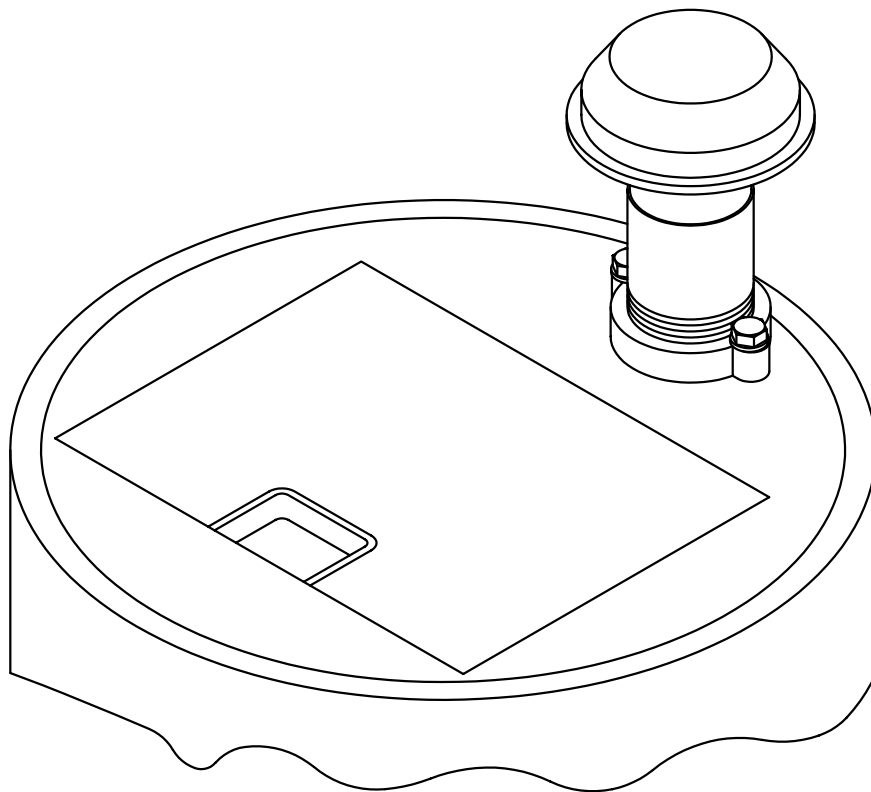
CHANGES		TOLERANCES		DRAWN BY		DATE		SPECIFICATION SHEET DIMENSIONAL DATA	
F		DECIMALS .XXX = ±.005		D. MIDDLETON		03/22/04			
E		.XX = ±.010		MATERIAL SPECIFICATION: AS NOTED				SCALE:	
D		FRACTIONAL X/X = ±.1/64						FULL	
C		ANGLES X° = ±1/2°		TANK(GREEN) VENT					
B									
A									

FEATURES: RIGID WELDED STEEL CONSTRUCTION WITH DURABLE POWDER COAT FINISH.

EPOXY SEALED BRONZE SCREEN PREVENTS INSECTS FROM ENTERING BASIN OR TANK.

EXCELLENT FOR VENTING SEWER GASES AND PROVIDING VACUUM RELIEF.

VENT MOUNTING KIT ALSO AVAILABLE (KIT CONTAINS VENT, CLOSE NIPPLE, AND MOUNTING FLANGE).



TYPICAL MOUNTING

ALL INFORMATION CONTAINED IN THIS DRAWING IS CONFIDENTIAL AND PROPRIETARY TO CONERY MFG, INC.



CHANGES		TOLERANCES		DRAWN BY		DATE		SPECIFICATION SHEET DIMENSIONAL DATA	
F		DECIMALS		D. MIDDLETON		03/22/04			
E		.XXX = ±.005		MATERIAL SPECIFICATION: AS NOTED				SCALE:	
D		.XX = ±.010						PART NO.	
C		FRACTIONAL						TANK(GREEN) VENT	
B		X/X = ±.1/64							
A		ANGLES							
		X' = ±1/2'							