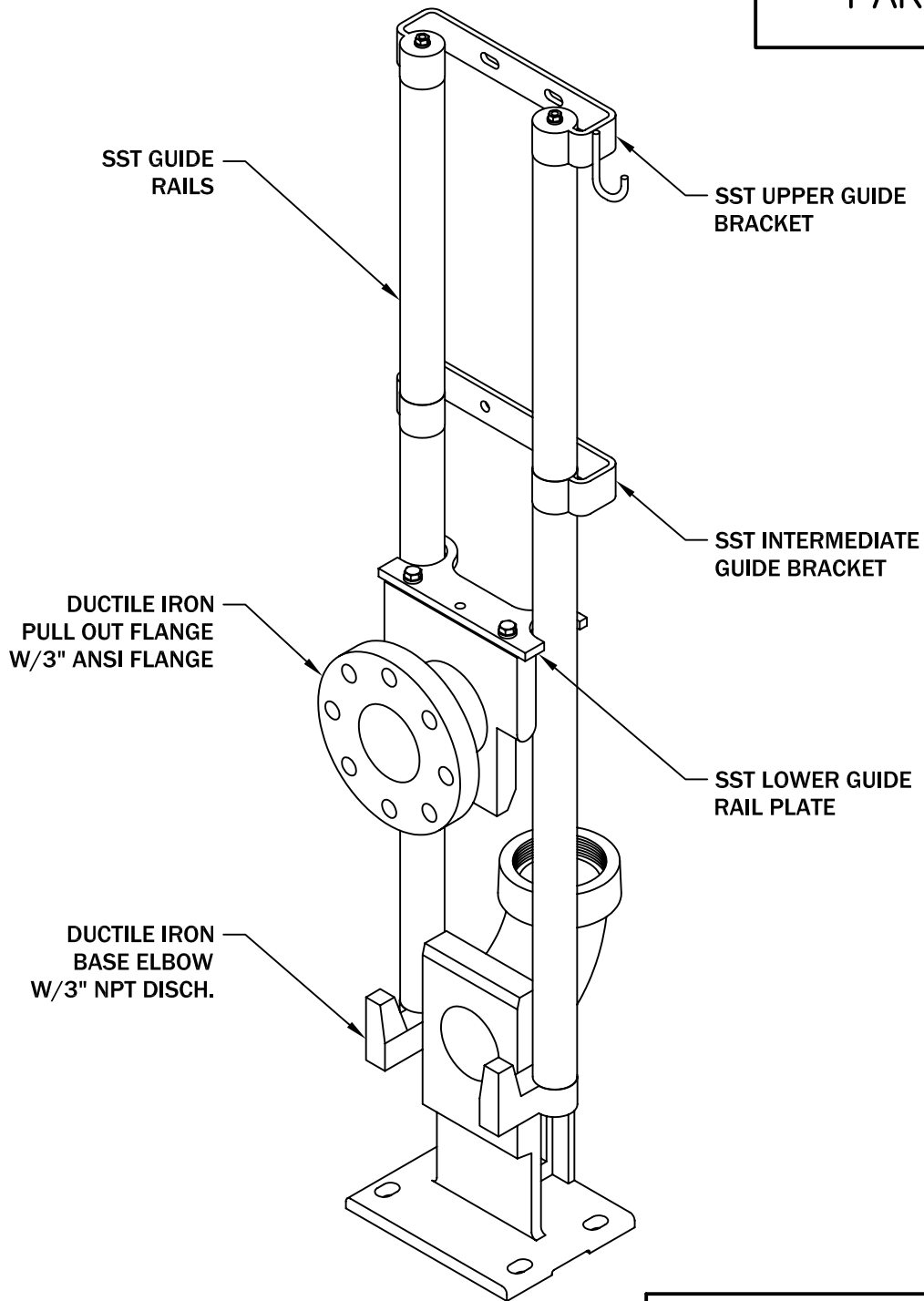


PARTS LIST

PAGE
1



ALL INFORMATION CONTAINED IN THIS DRAWING IS
CONFIDENTIAL AND PROPRIETARY TO CONERY MFG, INC.



CHANGES	TOLERANCES	DRAWN BY	DATE	3" HORIZONTAL L/O PART LIST	
F	DECIMALS	D. MIDDLETON	07/15/04		
E	.XXX = ±.005	MATERIAL SPECIFICATION: AS NOTED		1/8	BERS 300H
D	.XX = ±.010				
C	FRACTIONAL				
B	X/X = ±.1/64				
A	ANGLES X' = ±1/2'				