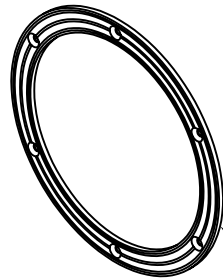
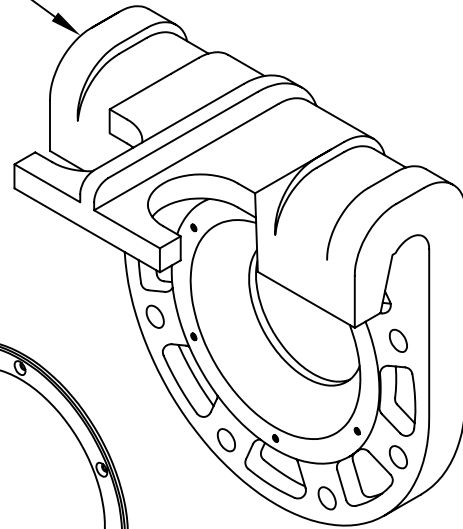


POF-0640 FLANGE
65-45-12 DUCTILE IRON
FITS STANDARD 4" ANSI
FLANGES.
USABLE WITH 2"
GUIDE RAIL

SP-0600 SEALING RING
NON-CORROSIVE
300 SERIES SST
BOLT IN DESIGN
(STANDARD)



SP-0600-R SEALING RING
NON-CORROSIVE
BUNA-N RUBBER
BOLT IN DESIGN
(OPTIONAL)

ALL INFORMATION CONTAINED IN THIS DRAWING IS
 CONFIDENTIAL AND PROPRIETARY TO CONERY MFG, INC.



CHANGES	TOLERANCES	DRAWN BY	DATE
F	DECIMALS	D. MIDDLETON	03/17/07
E	.XXX = ±.005	MATERIAL SPECIFICATION: AS NOTED	
D	.XX = ±.010		
C	FRACTIONAL		
B	X/X = ±.1/64		
A	ANGLES		
	X' = ±1/2'		

SPECIFICATION SHEET	
DIMENSIONAL DATA	
SCALE:	PART NO.
NONE	PULL-OUT FLANGE