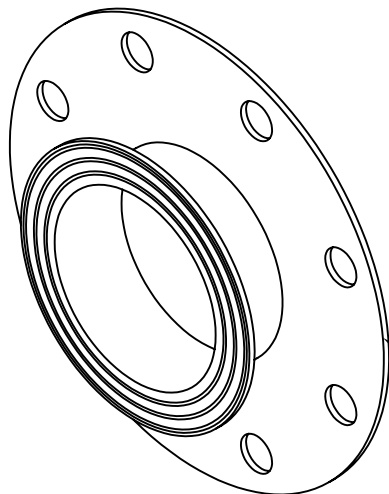
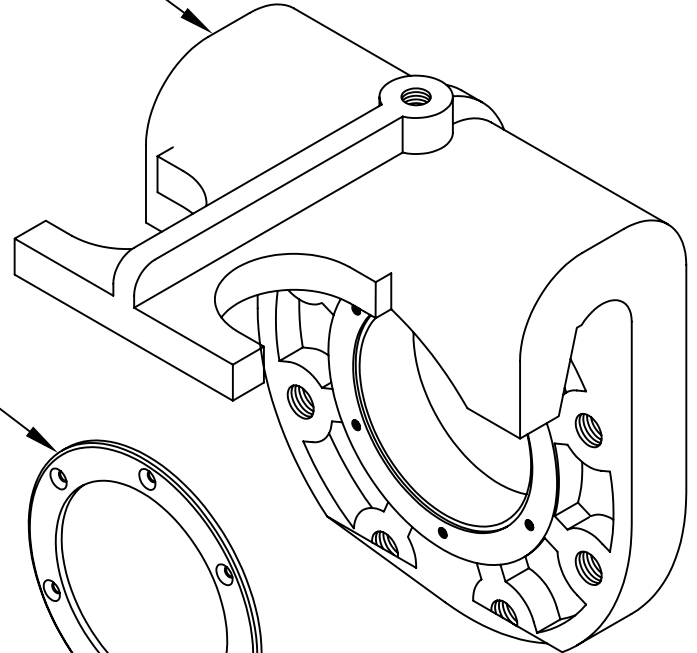


**POF-0400 FLANGE**  
**65-45-12 DUCTILE IRON**  
**FITS STANDARD 4" ANSI FLANGES.**  
**USABLE WITH 1½" & 2"**  
**GUIDE RAILS.**

**SP-0400 SEALING RING**  
**NON-CORROSIVE**  
**300 SERIES SST**  
**BOLT IN DESIGN**  
**(STANDARD)**



**FG-0400 GASKET**  
**NON-CORROSIVE**  
**BUNA-N RUBBER**  
**(OPTIONAL)**

**SP-0400-R SEALING RING**  
**NON-CORROSIVE**  
**BUNA-N RUBBER**  
**BOLT IN DESIGN**  
**(OPTIONAL)**

ALL INFORMATION CONTAINED IN THIS DRAWING IS  
 CONFIDENTIAL AND PROPRIETARY TO CONERY MFG, INC.



CHANGES	TOLERANCES	DRAWN BY	DATE
F	DECIMALS	D. MIDDLETON	03/17/07
E	.XXX = ±.005	MATERIAL SPECIFICATION:  AS NOTED	
D	.XX = ±.010		
C	FRACTIONAL		
B	X/X = ±.1/64		
A	ANGLES X' = ±1/2'		

**SPECIFICATION SHEET**  
**DIMENSIONAL DATA**

SCALE: 1/4 PART NO. PULL-OUT FLANGE