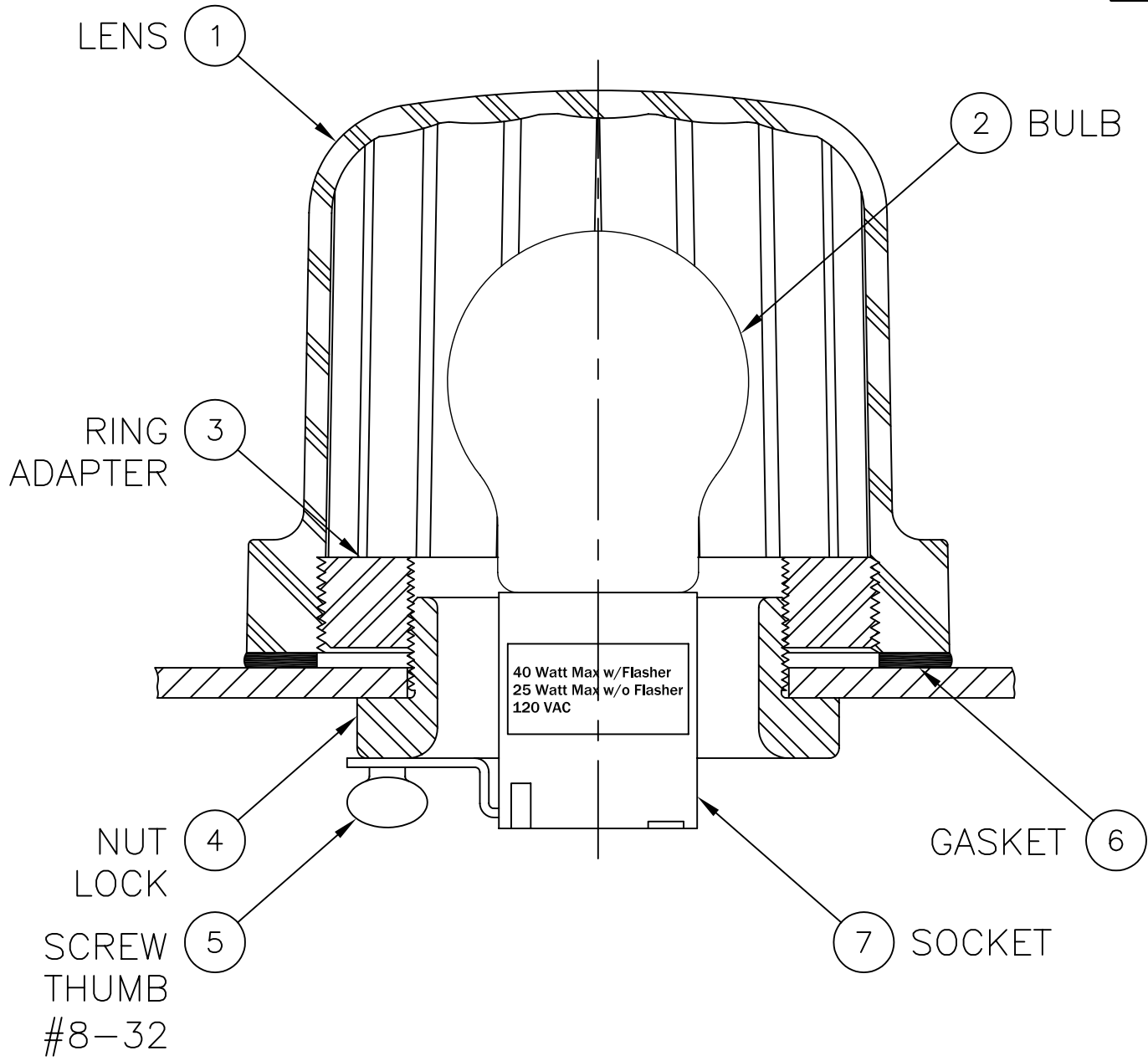




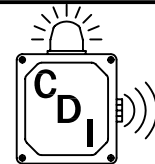
UL Recognized #E226322

40-XLS

PAGE
1



ALL INFORMATION CONTAINED IN THIS DRAWING IS CONFIDENTIAL AND PROPRIETARY TO COMPONENT DESIGN, INC.



Component Design, Inc.

CHANGES	TOLERANCES	DRAWN BY	DATE
F	DECIMALS .XXX = ±.005	D. MIDDLETON	07/12/06
E	.XX = ±.010	MATERIAL SPECIFICATION: AS NOTED	
D	FRACTIONAL X/X = ±.1/64		
C	ANGLES X° = ±1/2°		
B			
A			

ASSEMBLY, LENS 40-XLS	
SCALE:	PART NO.
FULL	40-XLS