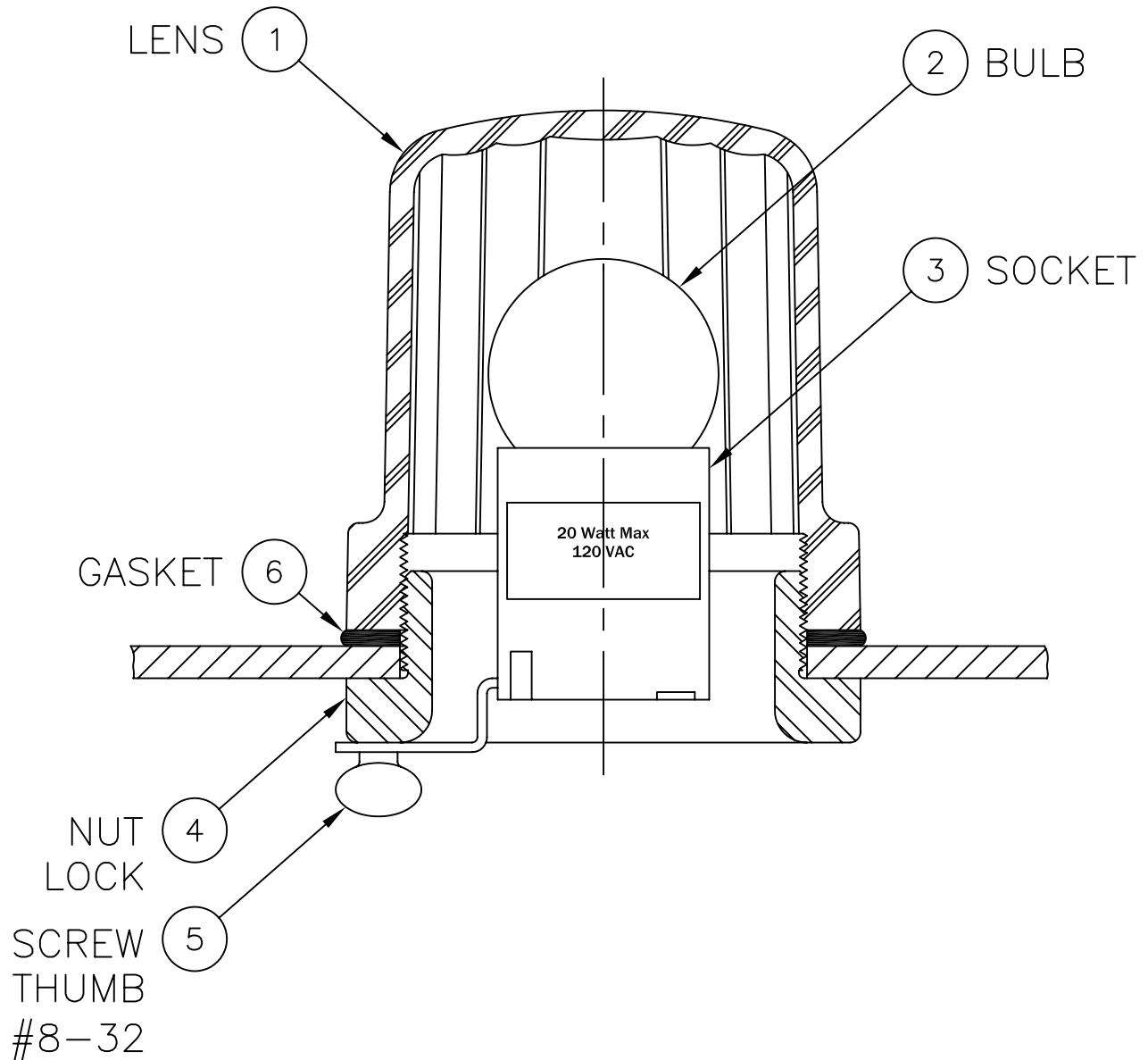




UL Recognized #E226322

25-LG

PAGE
1



ALL INFORMATION CONTAINED IN THIS DRAWING IS
CONFIDENTIAL AND PROPRIETARY TO COMPONENT DESIGN, INC.



**Component
Design, Inc.**

CHANGES	TOLERANCES	DRAWN BY	DATE	ASSEMBLY, LENS 25-LG	
F	DECIMALS	D. MIDDLETON	07/12/06	SCALE: PART NO. FULL 25-LG	
E	.XXX = ±.005	MATERIAL SPECIFICATION: AS NOTED			
D	.XX = ±.010				
C	FRACTIONAL				
B	X/X = ±.1/64				
A	ANGLES				
	X° = ±1/2°				