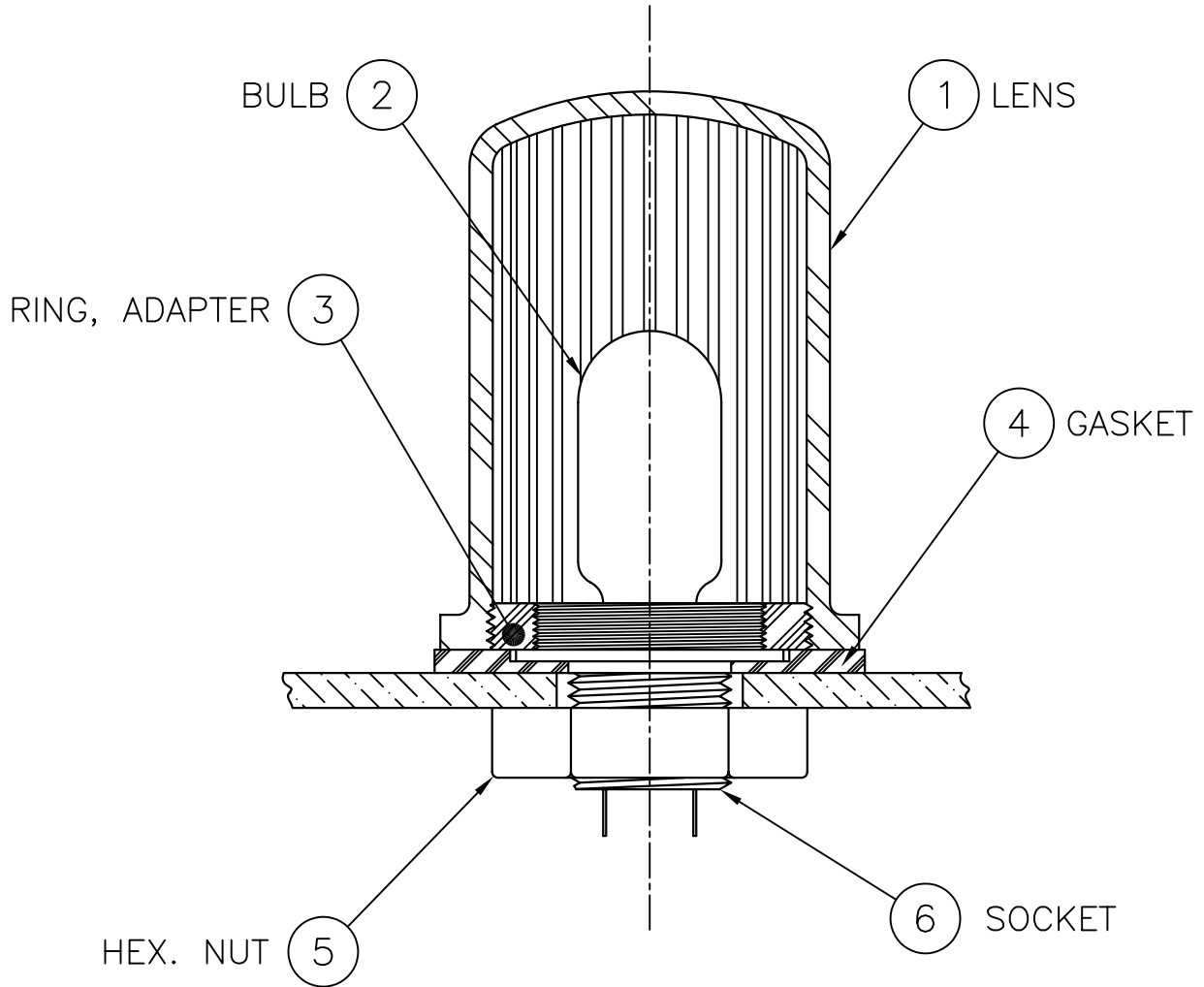




UL Recognized #E226322

LENS ASS'Y

PAGE
1



ALL INFORMATION CONTAINED IN THIS DRAWING IS CONFIDENTIAL AND PROPRIETARY TO COMPONENT DESIGN, INC



**COMPONENT
DESIGN, INC.**

CHANGES	TOLERANCES	DRAWN BY	DATE
F	DECIMALS	D. MIDDLETON	01/30/04
E	.XXX = ±.005	MATERIAL SPECIFICATION: AS NOTED	
D	.XX = ±.010		
C	FRACTIONAL		
B	X/X = ±.1/64		
A	ANGLES X° = ±1/2°		

ASS'Y, 15-MB
LENS

SCALE:	PART NO.
FULL	LENS ASS'Y