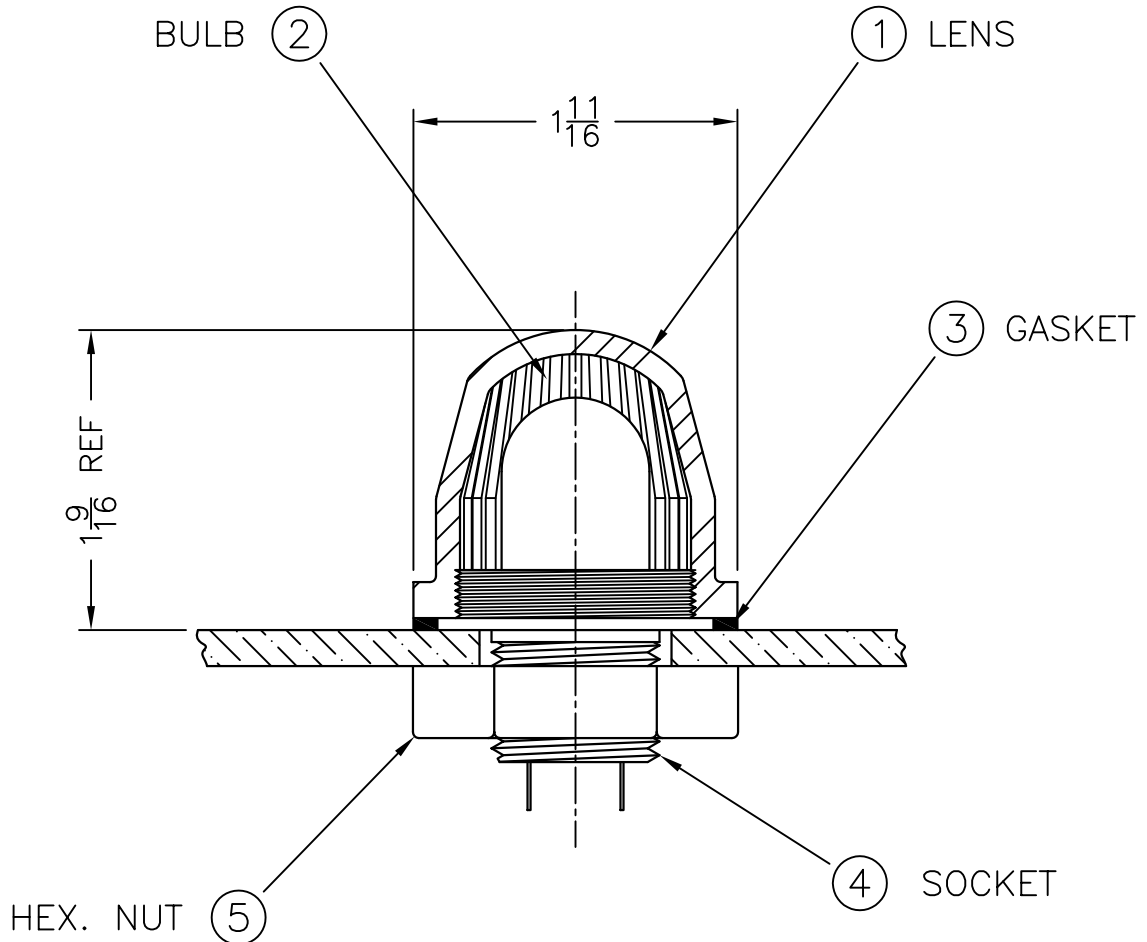




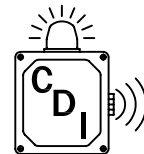
UL Recognized #E226322

7-XS STYLE

PAGE  
1



ALL INFORMATION CONTAINED IN THIS DRAWING IS  
CONFIDENTIAL AND PROPRIETARY TO COMPONENT DESIGN, INC

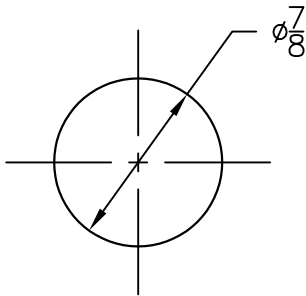


**COMPONENT  
DESIGN, INC.**

CHANGES	TOLERANCES	DRAWN BY	DATE
F	DECIMALS .XXX = ±.005 .XX = ±.010 FRACTIONAL X/X = ±.1/64 ANGLES X° = ±1/2°	D. MIDDLETON	01/30/04
E		MATERIAL SPECIFICATION:  AS NOTED	
D			
C			
B			
A			

<b>ASS'Y, 7-XS LENS</b>	
SCALE:	PART NO.
<b>FULL</b>	<b>LENS ASS'Y</b>

# MOUNTING TEMPLATE

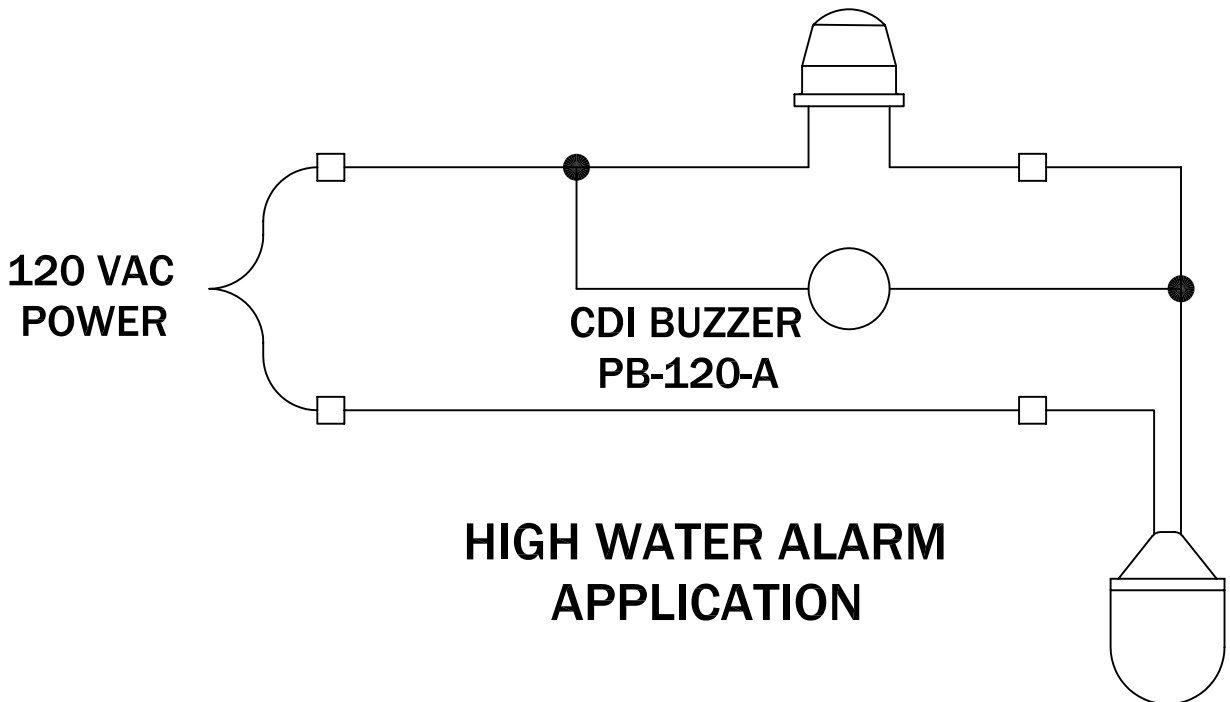


7-XS STYLE

PAGE  
2

LENS COLORS: AMBER, BLUE, GREEN, RED  
LENS ASS'Y RATED NEMA TYPE 3R,4,4X,12 & 13.

## 7-XS LENS ASSEMBLY



## HIGH WATER ALARM APPLICATION

ALL INFORMATION CONTAINED IN THIS DRAWING IS  
CONFIDENTIAL AND PROPRIETARY TO COMPONENT DESIGN, INC



**COMPONENT  
DESIGN, INC.**

CHANGES	TOLERANCES	DRAWN BY	DATE	SPECIFICATION SHEET DIMENSIONAL DATA	
F	DECIMALS .XXX = $\pm 0.005$ .XX = $\pm 0.010$ FRACTIONAL X/X = $\pm 1/64$ ANGLES X' = $\pm 1/2'$	D. MIDDLETON	01/30/04	SCALE:	PART NO.
E		MATERIAL SPECIFICATION:  AS NOTED		FULL	LENS ASSEMBLY
D					
C					
B					
A					